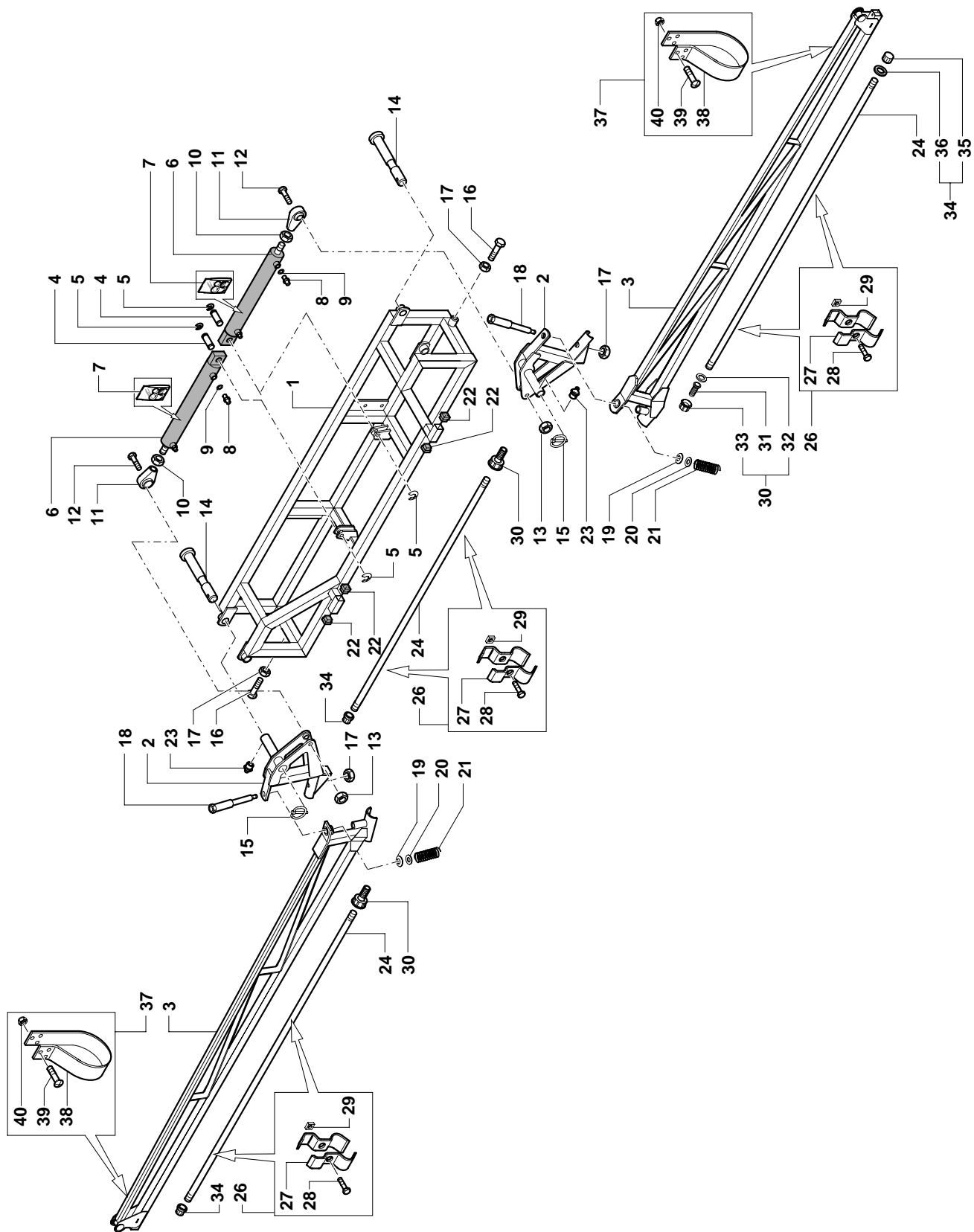


BARRA IDRAULICA GEX 6 m
 HIDRAULIC BOOM GEX 6 m
 RAMPE HIDRAULIQUE GEX 6 m
 HYDRAULISCHE GEWINDESTANGE GEX 6 m

GAMBETTI BARRE

Tav. **B 15 06**



BARRA IDRAULICA GEX 6 m
HIDRAULIC BOOM GEX 6 m
RAMPE HIDRAULIQUE GEX 6 m
HYDRAULISCHE GEWINDESTANGE GEX 6 m

GAMBETTI BARRE

Tav. **B 15 06**

Pos.	Codice code	Descrizione	N. pz.	Description	Désignation	Benennung
1	150600001V	TELAIO CENTRALE	1	CENTRAL FRAME	CHASSIS CENTRAL	HAUPTTRAHMEN
2	150600015V	1° SNODO BRACCIO	2	1st ARM ARTICULATION	ARTICULATION 1er BRAS	ERSTER ARMGELENK
3	140600015V	BRACCIO	2	ARM	BRAS	AUSLEGER
4	500100010Z	PERNO PER BENZING L=41	2	PIN FOR CIRCLIP	AXE POUR ARRETOIR	BOLZEN FÜR HALTERING
5	919800021X	BENZING INOX	4	CIRCLIP	ARRETOIR	HALTERING
6	702240003V	CILINDRO C.C. BARRA GOLF	2	RAM	CYLINDRE	ZYLINDER
7	996000208	KIT GUARNIZIONI PISTONE 22-40	2	SEAL SET	KIT JOINTS	DICHTUNGSSATZ
8	570500008Z	NIPPLO di=0,8 1/4"G CH.19	4	NIPPLE	RACCORD	NIPPEL
9	600500001	GUARNIZIONE RAME 1/4"	4	SEAL	JOINT	KUPFER-DICHTUNG
10	905215016Z	DADO M16X1,5 UNI 5589	2	NUT	ECROU	MUTTER
11	920100033Z	SNODO SFERICO D=16 M16X1,5	2	BALL JOINT	JOINT A ROTULE	KUGELGELENK
12	900316080Z	VITE M16X80 UNI 5737	2	SCREW	VIS	SCHRAUBE
13	905300016	DADO M16 UNI 7473	2	NUT	ECROU	MUTTER
14	500100052Z	PERNO C/BATTUTA D=25	2	PIN	AXE	BOLZEN
15	919800006Z	SPINA A SCATTO CON MOLLA	2	PIN	GOUPILLE	STECKER MIT FEDER
16	900116050Z	VITE M16X50 UNI 5739	2	SCREW	VIS	SCHRAUBE
17	905200016Z	DADO M16 UNI 5589	2	NUT	ECROU	MUTTER
18	500100067Z	ASTA SNODO	4	ROD	TIGE	STANGE
19	911634920	MOLLA A TAZZA ZINC.	2	BELLEVILLE WASHER	RESSORT	FEDER
20	500400001Z	RONDELLA BOMBATA	2	WASHER	RONDELLE	SCHEIBE
21	919900023Z	MOLLA SNODO TERMINALE	2	SPRING	RESSORT	FEDER
22	950130030	COPRITESTA 30x30 CQI	2	HEAD COVER 30x30 CQI	COUVRE-TETE 30x30 CQI	ENDSTOPFEN 30x30 CQI
23	919800020	INGRASSATORE	2	GREASE FITTING	GRAISSEUR	SCHMIERNIPPEL
24	550400500	TUBO INOX 4 FORI INT=500	3	4 HOLES TUBE	TUBE A 4 TROUS	4 - LÖCH ROHR
26	999900004	KIT MORSETTO 30/21	6	30/21 CLAMP KIT	KIT BRIDE 30/21	SATZ KLEMME 30/21
27	500600002Z	MORSETTO FERMATUBO 30/21	12	CLAMP	BRIDE	KLEMME
28	900508020Z	VITE M8X20 UNI 5931	6	SCREW	VIS	SCHRAUBE
29	906000008Z	DADO QUADRO M8	6	NUT	VIS	SCHRAUBE
30	999900035	KIT PORTAGOMMA D=13 NYLON	3	NYLON FITTING KIT	KIT DE RACCORD NYLON	SATZ NYLON SCHLAUCHTÜLLEN
31	A00105213	PORTAGOMMA 1/2" D13 PIANO	3	FITTING	RACCORD	SCHLAUCHTÜLLE
32	A00G40012	GUARNIZIONE PIANA 1/2"PTG	3	FLAT GASKET	JOINT	FLACHDICHTUNG
33	A00200021	GIRELLO 1/2" D=15.5	3	SWEVEL	ECROU	DÜSENKAPPE
34	999900008	KIT TAPPO NYLON F 1/2"	3	NYLON PLUG KIT	KIT BOUCHON	SATZ STOPFEN
35	A00210020	TAPPO PLASTICA F1/2"	3	PLUG	BOUCHON	STOPFEN
36	A00G10020	OR TAPPO 1/2"	3	O-RING	O-RING	O-RING
37	999900001Z	KIT FASCIA DI PROT. 8-10m.	2	BAND KIT	KIT BANDE	HALTEBAND SATZ
38	121400020Z	FASCIA DI PROTEZIONE	2	PROTECTION BAND	BANDE	HALTEBAND
39	904906040Z	VITE M6X40 UNI 7985	6	SCREW	VIS	SCHRAUBE
40	905300006	DADO M6 UNI 7473	6	NUT	ECROU	MUTTER