



ROGERS SPRAYERS INC.

813B - 50th Street East
Saskatoon, SK S7K 3Y5
Canada

Toll Free: 1-888-975-8294
Phone: (306) 975-0500
Fax: (306) 975-0499

Email: info@rogerssprayers.com
Web: www.rogerssprayers.com

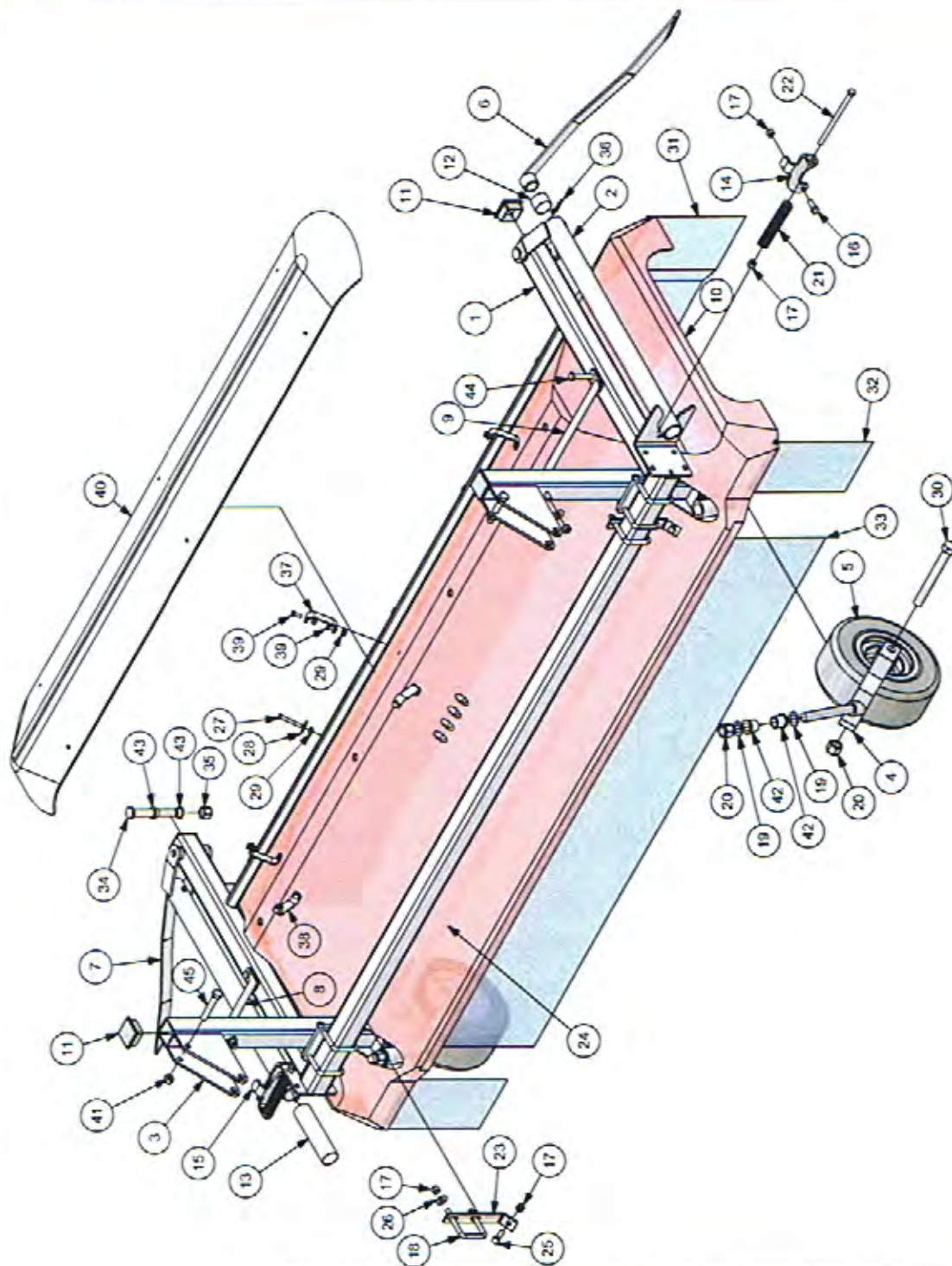


WA6000E

20ft/6m Aluminum Covered Spray Boom
with Electric Folding System



Assembly, Parts and Operator's Manual



Parts List

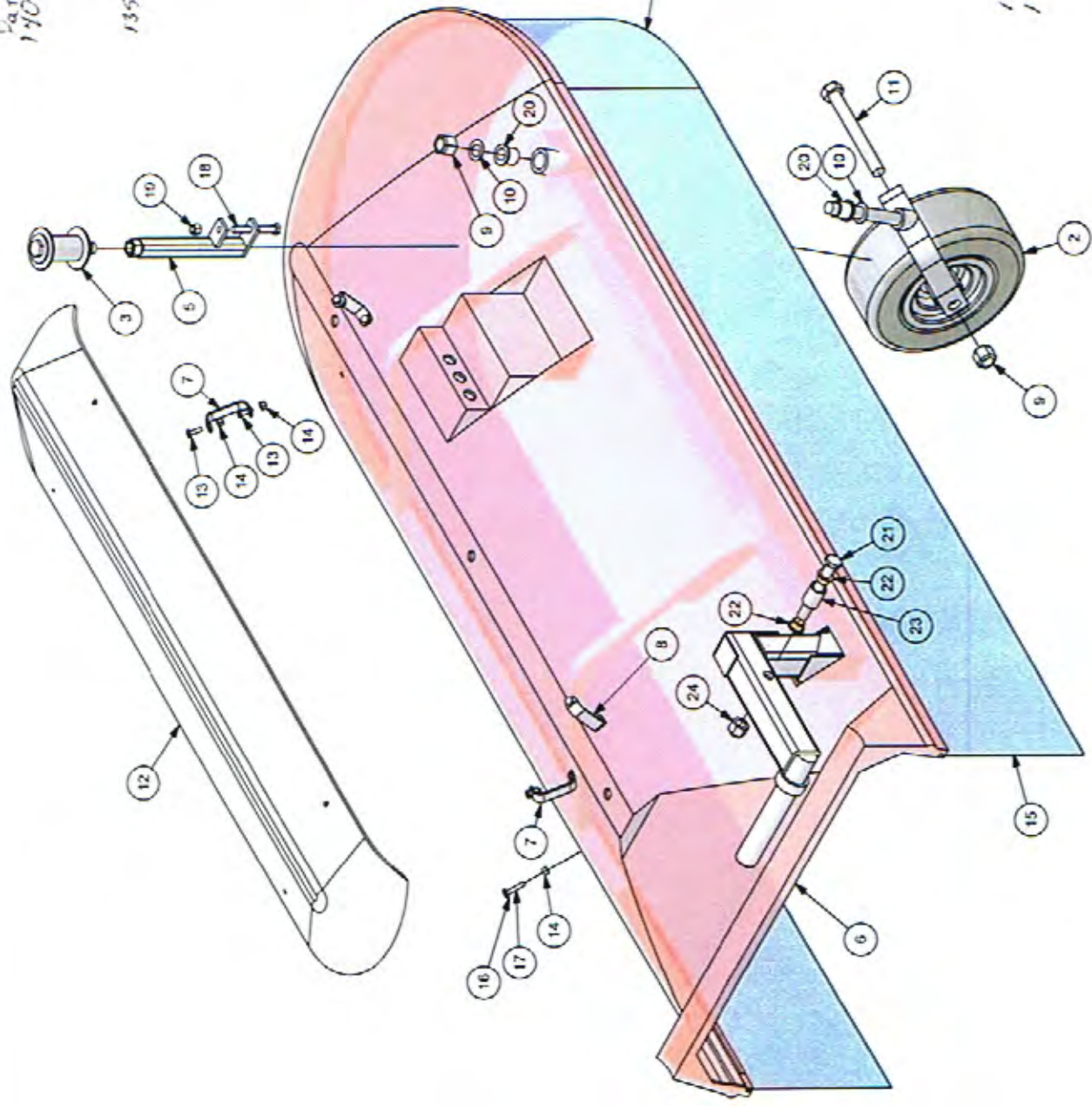
ITE	QTY	PART#	DESCRIPTION
1	1	13485	CENTER FRAME, HP 4 NOZ.
2	2	13469	BREAKAWAY TUBE
3	2	13948	CENTER WHEEL MOUNT
4	2	13945	CASTOR FORK ASSEMBLY
5	2	13787	WHEEL ASSEMBLY, 3/4" BORE
6	1	13501L	WING STABILIZER BAR, LEFT
7	1	13501R	WING STABILIZER BAR, RIGHT
8	1	14192R	BRACE CENTER FRAME, R
9	1	14192L	BRACE CENTER FRAME, L
10	1	13817	SHROUD, HP, 4 NOZ, CENTER RED
11	4	01058	PLUG, TUBE, SO, PLASTIC 2"
12	2	13493	BUSHING, NYLON WING STAB
13	2	13494	BUSHING, NYLON WING PIVOT
14	1	13475L	BREAK LATCH, LEFT
15	1	13475R	BREAK LATCH, RIGHT
16	2	05431	BOLT, 3/8"x1", PLD
17	22	00656	NUT, NYLOCK, 3/8NC, PLD
18	6	12587	UBOLT, 3/8" x 2"x3", PLD
19	4	14043	WASHER, 3/4" MACHINE
20	4	05550	NUT NYLOCK, 3/4" PLD
21	2	13710	SPRING, CPRN, .0125x4 875x 162
22	2	01593	BOLT, 3/8"x6", PLD
23	2	13847	CENTER SHROUD SUPPORT
24	1	13480	SHROUD SUPPORT, FRONT
25	2	05432	BOLT, 3/8"x1.5", PLD
26	8	00957	WASHER, FLAT, 3/8" PLD
27	5	01070	BOLT, 1/4NCx2, PLD
28	5	09754	WASHER, 1/4" FENDER
29	17	00968	NUT, NYLOCK 1/4" PLD
30	2	13678	BOLT 3/4NCx6-1/2, PLD
31	1	13484	FLEXISHIELD, BLK 10"x84.5"
32	1	13484b	FLEXISHIELD, BLK 10"x6"
33	1	13484b	FLEXISHIELD, BLK 10"x61.5"
34	2	05457	BOLT, 5/8"x4.5", PLD
35	2	01051	NUT, NYLOCK, 5/8NC, PLD
36	2	12361	PIN, HITCH, 3/32" x 1.5"
37	3	13478	STANDOFF, BACK (SHORT)
38	3	13479	STANDOFF, FRONT (LONG)
39	12	01154	BOLT, 1/4NCx3/4, PLD
40	1	13483	AIRFOIL, 68"
41	2	00903	NUT, NYLOCK, 1/2NC, PLD
42	4	14091	BUSHING, CASTOR WHEEL
43	4	14127	BUSHING, NYL 3/4x5/8x1/2 WFLG
44	4	05437	BOLT, 3/8"x3", PLD
45	2	14328	BOLT, 1/2"x2.75", PLD

DRAWN: MERV BILNISKI
 DATE: 12/20/04
 CHECKED: HIGH PROFILE
 TITLE: CENTER BOOM ASSEMBLY RED
 DWG NO: 13401R
 SCALE: 1:1
 MATERIAL: 6061-T6 ALUMINUM
 HEIGHT: 1/8"

Part #
14050L

13520L

Parts List		
ITEM	QTY	DESCRIPTION
1	1	WING FRAME, 3/4" NOZ. AL, L
2	1	WHEEL ASSEMBLY, 3/4" BORE
3	1	WING LOCKUP DAMPER
4	1	CASTOR FORK ASSEMBLY
5	1	WING CATCH BRACE
6	1	WING SHROUD, 3/4" NOZ. RED. L
7	2	STANDOFF, BACK (SHORT)
8	2	STANDOFF, FRONT (LONG)
9	2	NUT NYLOCK, 3/4" PLD
10	2	WASHER, 3/4" MACHINE
11	1	BOLT, 3/4"x6-1/2, PLD
12	1	AIRFOIL, 7/8" WHOLE
13	8	BOLT, 1/4"x3/4, PLD
14	9	NUT, NYLOCK 1/4" PLD
15	1	FLEXI-SHIELD BLK, 10Wx15H, 1997
16	1	WASHER FLAT, 1/4"
17	1	BOLT, 1/4"x1.25, PLD
18	1	BOLT, 3/8"x3", PLD
19	1	NUT, NYLOCK, 3/8" PLD
20	2	BUSHING, CASTOR WHEEL
21	1	BOLT, 5/8"x4.5", PLD
22	2	BUSHING, NYL, 3/4"x5/8x1/2 WFLG
23	1	PIVOT BUSHING
24	1	NUT, NYLOCK, 5/8" PLD



CUT OUT CURTAIN
IN FRONT OF WHEEL
UP TO STITCH

Parts List		
ITEM	QTY	DESCRIPTION
1	1	SHROUD WING, 3 NOZ. RED, R
2	1	WING FRAME, 3 NOZ. AL, R

13520R
14050R

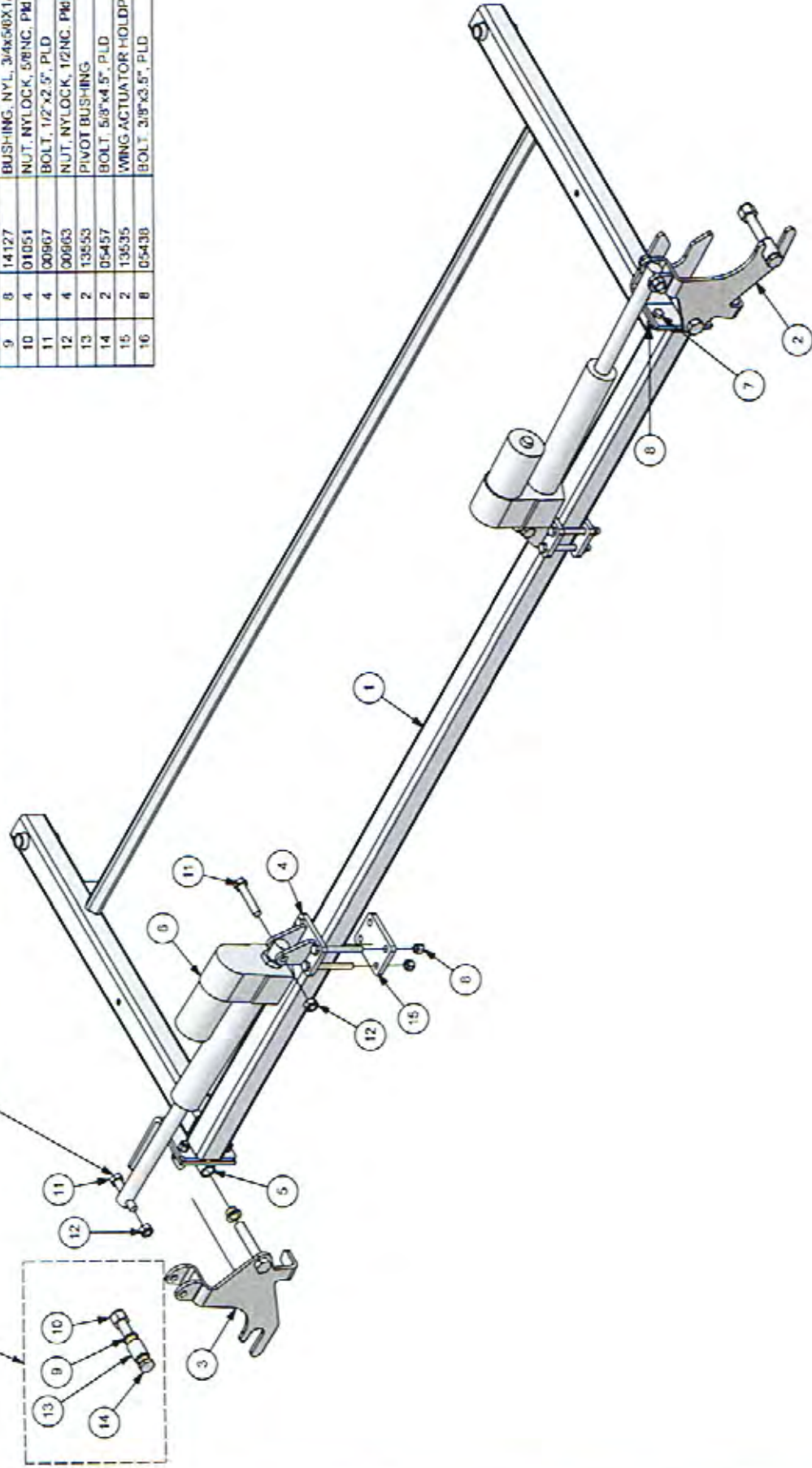
DRAWN	MERYL B. NICKS
DATE	
LOCATION	14050R
DWG NO.	14050R
MATERIAL	14050R
SCALE	1:1
SIZE	A

ROGERS SPRAYERS INC.	
TITLE	WING FRAME ASSEMBLY RED, LEFT
DWG NO.	14050R
MATERIAL	14050R
SCALE	1:1
SIZE	A

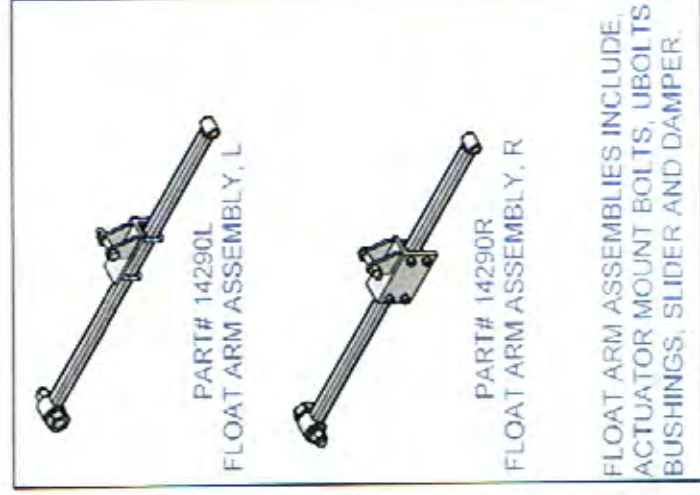
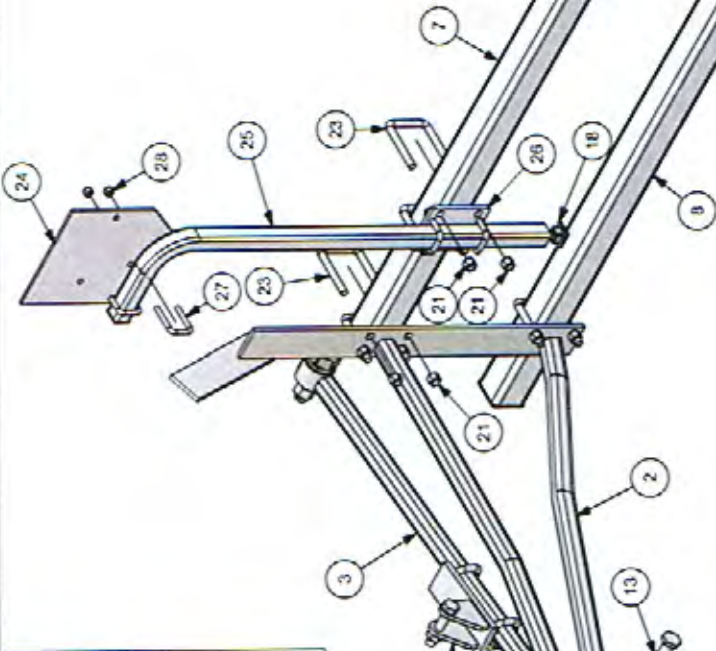
ITEM	QTY	PART#	DESCRIPTION
1	1	134B5	CENTER FRAME HP 4 NOZ.
2	1	13530L	WING LIFT ARM, L
3	1	13530R	WING LIFT ARM, R
4	2	1353B	ACTUATOR MOUNT, WING
5	2	1354D	WINGLIFT PIVOT MOUNT
6	2	1358D	ACTUATOR 8" ACME THREAD
7	4	05431	BOLT, 3/8"x1", PLD
8	12	00956	NUT, NYLOCK, 3/8NC, PH
9	8	14127	BUSHING, NYL, 3/4x5/8x1/2 WIFLG
10	4	01051	NUT, NYLOCK, 5/8NC, PH
11	4	00967	BOLT, 1/2"x2.5", PLD
12	4	00963	NUT, NYLOCK, 1/2NC, PH
13	2	13553	PIVOT BUSHING
14	2	05457	BOLT, 5/8"x4.5", PLD
15	2	13535	WING ACTUATOR HOLDPLATE
16	8	05430	BOLT, 3/8"x3.5", PLD

WING LIFT PIN ASSEMBLY INSERTED INTO WING FRAME

BOLTS ON THE END OF THE ACTUATOR MUST BE INSERTED IN DIRECTION SHOWN



DRAWN: MERV BLINISKI		ROGERS SPRAYERS INC.	
DATE:		TITLE: WING LIFT ASSEMBLY PARTS	
LOCATION: HIGH PROFILE		DWG NO: WING LIFT Assembly	
PART: 13530R		SCALE: 1/2"=1'-0"	
MATERIAL: ALUMINUM		SIZE: 1/2"	



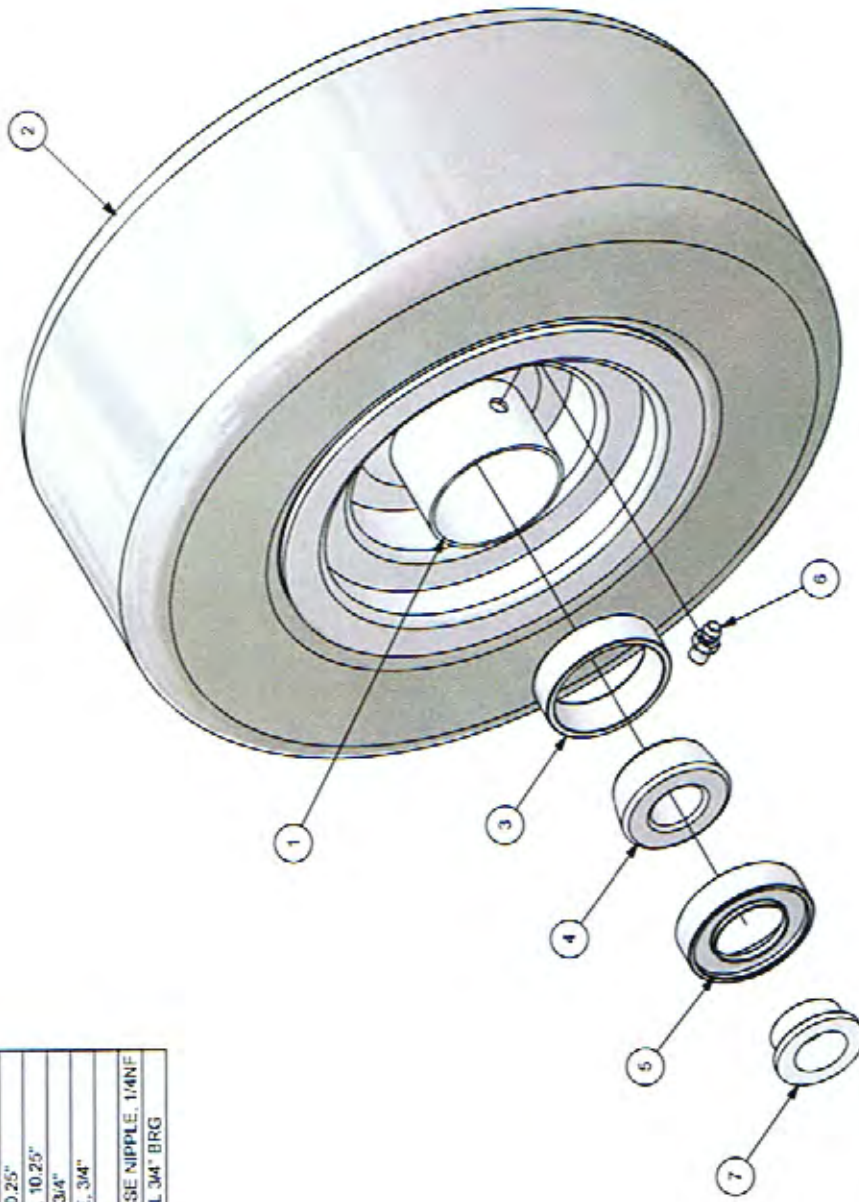
Parts List

ITEM	QTY	PART#	DESCRIPTION
1	1	13565L	FIXED ARM, LEFT
2	1	13565R	FIXED ARM, RIGHT
3	2	13848	FLOATING ARM
4	2	13857	WING LOCKUP YOKE
5	1	13561L	ACTUATOR MOUNT CENTER, L
6	1	13561R	ACTUATOR MOUNT, CENTER, R
7	1	13544	BOOM MOUNT UPPER TUBE
8	1	13543	BOOM MOUNT LOWER TUBE
9	12	14127	BUSHING, NYL, 3/4x5/8x1/2 W/PLG
10	2	13556	BOOM FLOAT DAMPER
11	2	13542	SLIDER, HEX
12	2	05455	BOLT, 5/8"x3", PLD
13	2	05456	BOLT, 5/8"x4", PLD
14	4	01051	NUT, NYLOCK, 5/8NC, PLD
15	4	00963	NUT, NYLOCK, 1/2NC, PLD
16	2	12361	PIN, HITCH, 3/32" x 1.5"
17	2	14041	WING LOCKUP PIN
18	4	01056	PLUG, 1" SQ, PLASTIC
19	2	01058	PLUG, TUBE, SQ, PLASTIC 2"
20	4	12379	UBOLT, 3/8x1x2 25
21	24	02956	NUT, NYLOCK, 3/8NC, PH6
22	2	02667	BOLT, 1/2"x2.5", PLD
23	6	12597	UBOLT, 3/8" x2"x3", PLD
24	1	13830	PLATE, CENTER BACKING
25	1	13838	SUPPORT ARM, CTR FLOW METER
26	1	13835	CROSSOVER PLATE, 1"x2"
27	4	01049	UBOLT, 1/4x1x2, SQ
28	8	30968	NUT, NYLOCK, 1/4" PLD

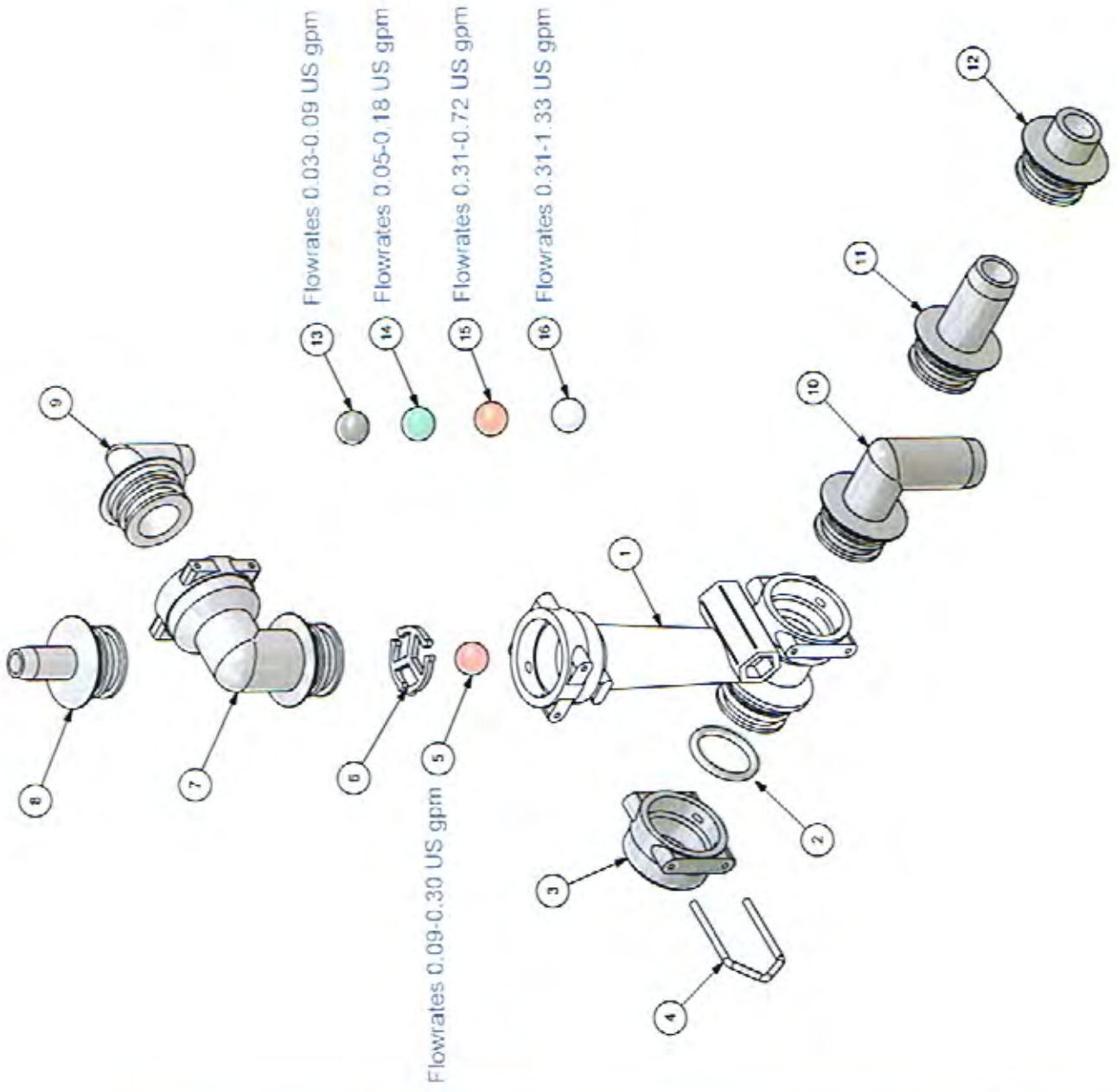
ROGERS SPRAYERS INC.

DRAWN: MERRY BILNEM
 DATE: 12/22/88
 TITLE: BOOM MOUNT ASSEMBLY
 LOCATION: DWG NO: 13564
 REVISION: 1
 SCALE: 1:10
 MATERIAL: 6061 ALUMINUM
 SIZE: 8

Parts List		
ITEM	QTY	PARTW DESCRIPTION
1	1	14031 RIM, STL, HD, 10.25"
2	1	00864 FOAM RUBBER, 10.25"
3	2	14032 BEARING CUP, 3/4"
4	2	14034 BEARING CONE, 3/4"
5	2	14033 SEAL, 1.87500
6	1	06972 FTG, STL GREASE NIPPLE, 1/4NF
7	2	13901 SPACER WHEEL 3/4" BRG



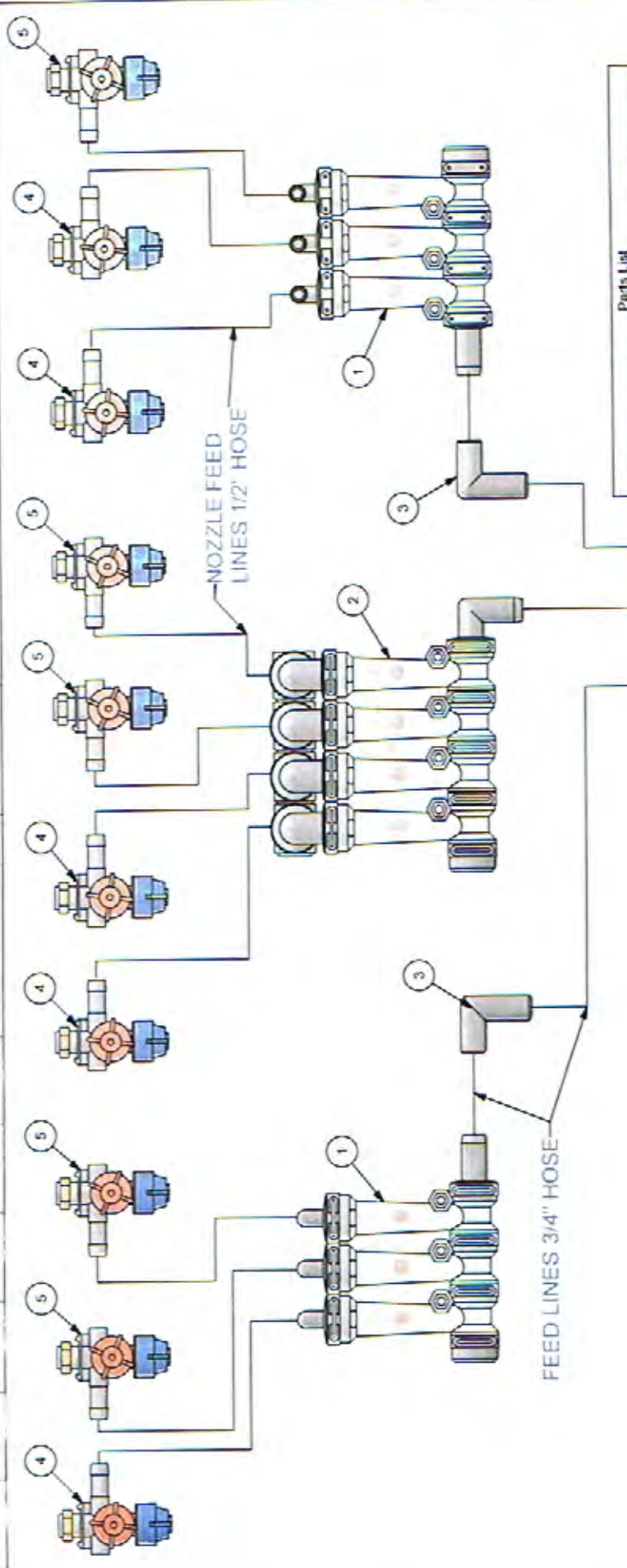
DRAWN		ROGERS SPRAYERS INC.	
DATE	TITLE	SCALE	SIZE
10/2/00	WHEEL ASSEMBLY, 3/4" BORE		
LOCATION	DWG NO	MATERIAL	
REV PROFILE	13787		
REV PROFILE			



Parts List

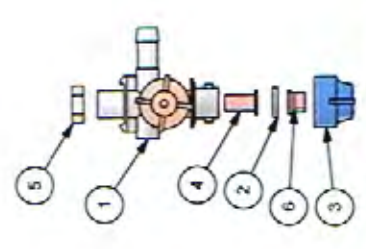
ITEM	QTY	PART#	DESCRIPTION
1	1	00889	FLOWMONITOR ORC BODY
2	1	11864	O-RING ORC
3	1	00909	FTG POLY ORC CAP
4	1	11976a	ORC CLIP
5	1	11990	BALL GELCON FLOW INDICATOR
6	1	11989	ORC BALL RETAINER
7	1	01115	FTG POLY ELB ST MORG x FORC
8	1	11975	FTG POLY ADPT MORG x 1/2HB
9	1	00906	FTG POLY ELB MORG x 1/2HB
10	1	00905	FTG POLY ELB MORG x 3/4HB
11	1	00903	FTG POLY ADPT MORG x 1/4FNPT
12	1	12727	FTG POLY ADPT MORG x 1/4FNPT
13	1	01118	BALL POLYPROP FLOW IND. BLACK
14	1	01119	BALL POLYPROP FLOW IND. GREEN
15	1	11965	BALL GLASS FLOW INDICATOR
16	1	11891	BALL SS FLOW INDICATOR

DRAWN: MERV BILINGS		ROGERS SPRAYERS INC.	
DATE:		TITLE	
LOCATION: PLUMBING		ORC ROTOMETER PARTS	
REVISED:		DWG NO	
		11992	
PART:	MATERIAL:	SIZE:	
REG LIST:			



Parts List

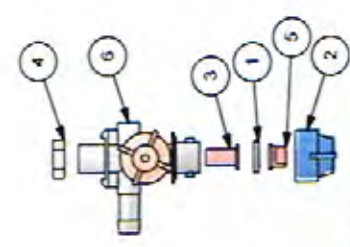
ITEM	QTY	PART#	DESCRIPTION
1	2	134284	FLOWMONITOR ASSY 3/4 COL. WING
2	1	11978	FLOWMONITOR ASSY HP CTR 4 COL
3	2	12355	FTG POLY ELB 3/4HBMH
4	4	14298	NOZZLE BODY ASSBLY, TJJ
5	6	14299	NOZZLE BODY ASSBLY, TJR



PART# 14298 (incl. 1-6)

Parts List

ITEM	QTY	PART#	DESCRIPTION
1	1	14281	NOZZLE BODY TJ15R
2	1	14284	SEAL NOZZLE CAP, TJ
3	1	14283	CAP T-J-NB BLUE
4	1	04720	SCREEN, TIP 50 MESH
5	1	12362	NUT BRASS, 11/16"
6	1	12423	TIP, API8004, RED

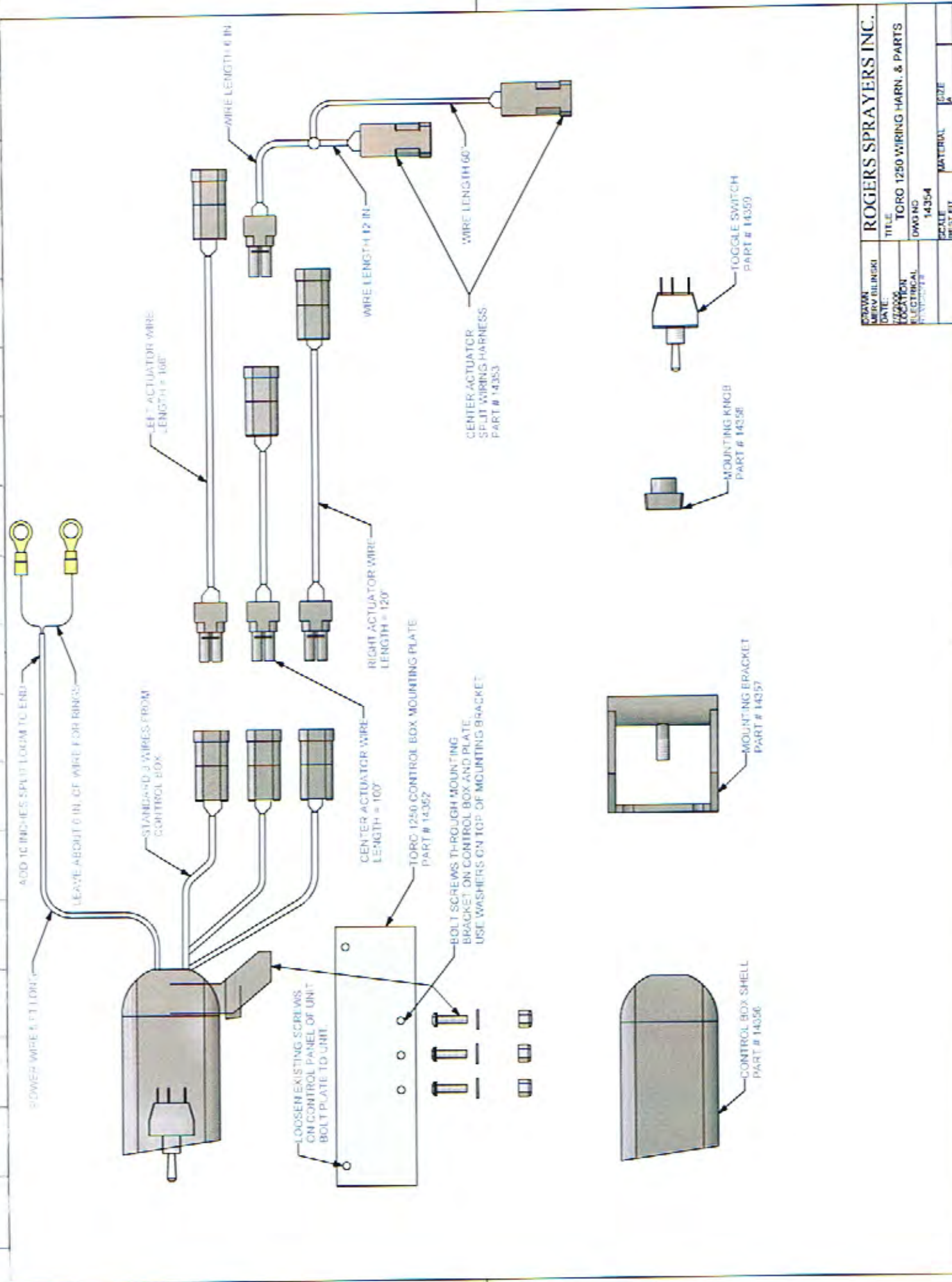


PART# 14299 (incl. 1-6)

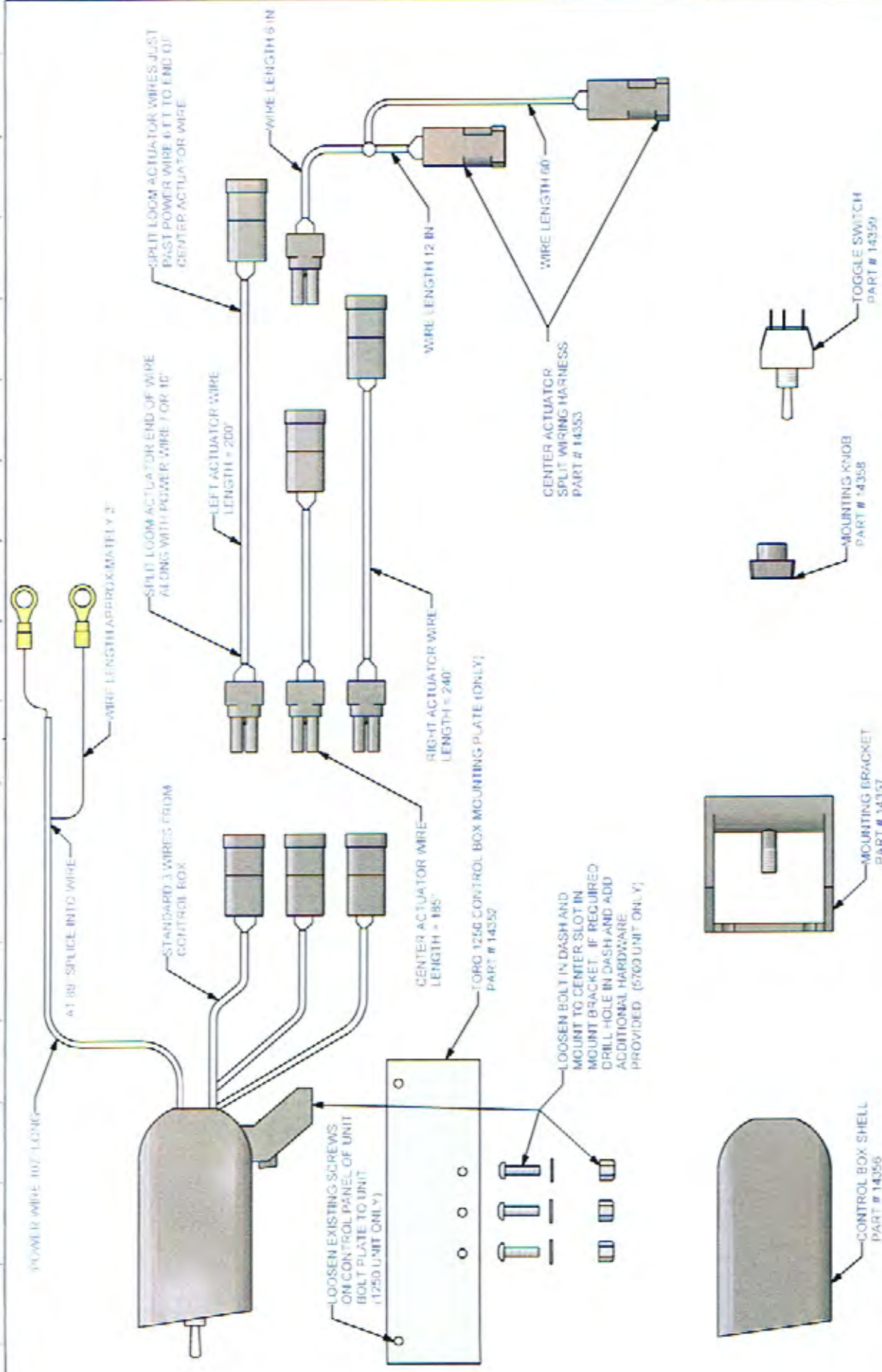
Parts List

ITEM	QTY	PART#	DESCRIPTION
1	1	14284	SEAL NOZZLE CAP, TJ
2	1	14288	CAP T-J-NB BLUE
3	1	04720	SCREEN, TIP 50 MESH
4	1	12362	NUT BRASS, 11/16"
5	1	12423	TIP, API8004, RED
6	1	14282	NOZZLE BODY, TJ15L

DRAWN MERRILL	ROGERS SPRAYERS INC.
DATE	TITLE
PLUMBING	PLUMBING ASSY 5000, TJ
LOCATION	DWG NO
REVISED	14383TJ
SCALE	MATERIAL
DESIGN	SIZE



ROGERS SPRAYERS INC.			
DRAWN SERV BILINSKI	DATE	TITLE TORO 1250 WIRING HARN. & PARTS	
LOCATION ELECTRICAL	DWG NO 14354		
SCALE	MATERIAL	SIZE	



DRAWN		ROGERS SPRAYERS INC.	
MERRY BLINISKI		TITLE	
DATE		TORO 5700 WIRING HARN. & PARTS	
7/22/09		DWG NO	
LOCATION		ELECTRICAL	
REV		14355	
SCALE		MATERIAL	
DEPT		SIZE	