

OPERATORS MANUAL

&

PARTS LIST

model

PRO GOLF DEMOUNT

PGDM400

PGDM600

PGDM800

PGDM1000



CLEVELAND ALLIANCES LTD
INDUSTRY AGRICULTURE AMENITY

Contents:

Install & Operation.....	Page 3 - 9
Nozzle Chart for all booms (<i>except WGF covered/shrouded booms</i>).....	Page 10
Parts	
Standard controls with electric on/off.....	Page 12
Full Electric Controls.....	Page 13 - 14
Sprayer chassis and connected parts.....	Page 15 - 19
6m Manual Boom.....	Page 20
8m Manual Boom.....	Page 21
6m Hydraulic Boom.....	Page 22
8m Hydraulic Boom.....	Page 23
Pump.....	Page 24 - 25
Foam Marker.....	Page 26
For AMC180 & 400 Rate controllers see other manuals on our website	
For WGF Shrouded booms see other manuals on our website	

Disclaimer:

Cleveland Alliances Ltd accept no liability for damage caused to the machine or the environment or persons through operation or misuse of the machine. The operator must be competent, trained, and have the appropriate certification.

DO NOT USE THIS MACHINE UNLESS YOU HAVE BEEN TRAINED TO DO SO.

For technical support and spare parts assistance call 01361883418

Email us on info@clevelandalliances.com

Cleveland Alliances Ltd

Station Road, Duns, Berwickshire, TD113HS

Thank you for purchasing your Cleveland Gambetti Sprayer. Here are the do's and don't of operation and how to keep spraying without any hassles.

Disclaimer:

Cleveland Alliances Ltd accept no liability for damage caused to the machine or the environment or persons through operation or misuse of the machine. The operator must be competent, trained, and have the appropriate certification.

DO NOT USE THIS MACHINE UNLESS YOU HAVE BEEN TRAINED TO DO SO.

Spraying is a delicate operation and involves the risk of contamination of people, animals and the environment. For this reason the functionality of all machine components must be carefully ensured. - The operator is always the most exposed person to the used chemical products and he/she must always adopt all the necessary measures for his/ her personal safety at work. Refer to the danger indications on the labels of the products used. - Always work in the correct weather conditions and follow the weather forecasts for the entire period of application. - Dose the product to be poured into the tank correctly. - Make sure that the chemical substances used are compatible with the construction materials of the machine. - Never leave chemical substances on the tank for more than a few hours. - Carefully follow the regulations concerning the possession and use of plant protection products and make sure that people and animals cannot access them. - After each use carefully wash the containers of the mix and the dosing tools that have been used. - Do not use the machine without hand washing tank or if it is not full. - The machine should be cleaned in the same place where it is filled, i.e. an area where the water can be collected in a disposal manhole. - Do not discharge the mixing residues to the watercourses, sewers and public areas.



FITTING TO THE TRUCK

NEVER WORK ON THE MACHINE WHILST THE ENGINE IS RUNNING

- 1.** Connect the machine to the lower links onto the truck body using the jacking handles to adjust the height. DO NOT PUT FINGERS INTO THE PIN HOLES WHEN ALIGNING THE SPRAYER TO THE TRUCK. Connect the two rear pins and then connect the centre front pin to the tipping ram. Make sure all lynch pins / R pins are in place
- 2.** When the machine is connected to the truck check the area is clear and lift the Sprayer using the tipping ram. Then connect the hydraulic pump hoses to the hydraulic service on the truck. The engine should NOT be running when doing this.
- 3.** Connect the electrical cables to the control boxes.

NEVER LIFT THE SPRAYER WITH THE TIPPING HYDRAULIC RAM WHEN THERE IS LIQUID INSIDE THE TANK!

Operation:

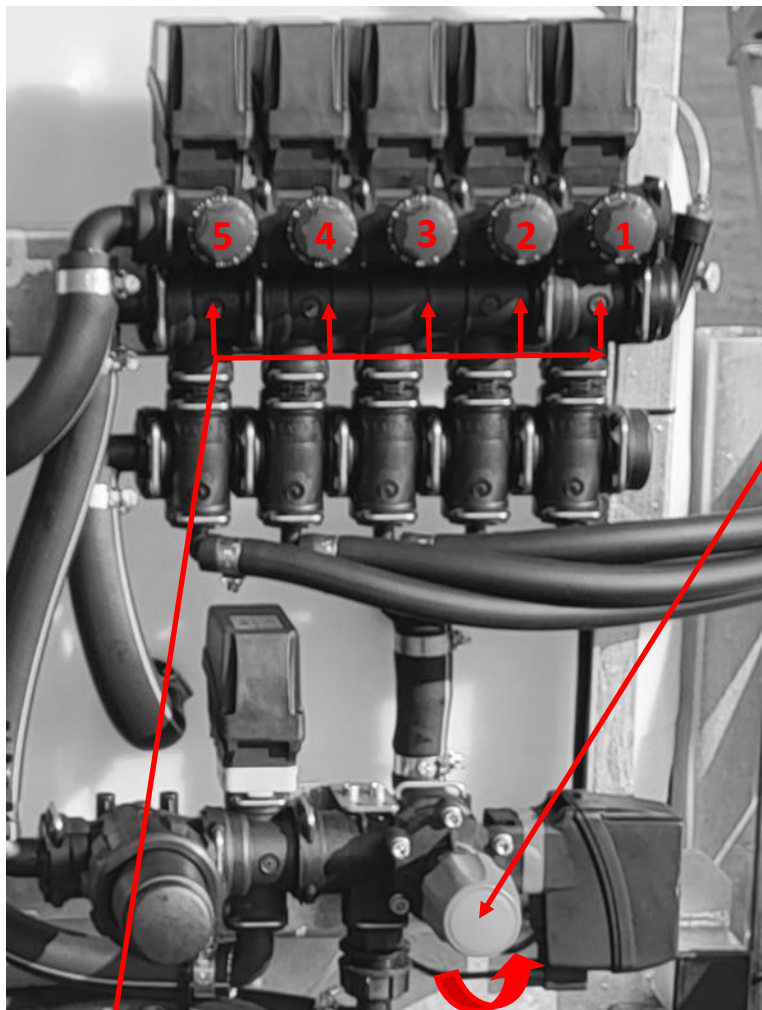


CLEVELAND ALLIANCES LTD
INDUSTRY AGRICULTURE AMENITY

Do not just bash on, hoping you're going to get it right!!! You're applying thousands of pounds worth of product... lets do a good job shall we.....

1. Connect to the TRUCK following the previous page instructions. Make sure the sprayer chassis is sitting level and the nozzles are 50cm from the ground when the machine is at the working position on the vehicle
2. Put water inside the tank. ONLY ADD PRODUCT when there is at least 150lt of water in the tank. The pump MUST BE RUNNING via the hydraulic PTO when adding CHEMICAL. If you just add chemical without the pump running you risk choking your suction filter which will be a real pain in the backside for you.
4. Add the rest of the water to the required level.

Controls:



Pressure Relief valve

To set the relief valve, put the PTO speed to 540 rpm and start spraying water. Set the pressure to 5 bar using the YELLOW adjuster. Then unscrew the green knob (anti clockwise) until the pressure drops to 4.8 bar

Boom Section Valves

The sections are controlled from the cab switch box

Pressure Balancing - To set the pressure balancing valves, follow this procedure:

1. Set the total boom spraying @ 3bar pressure
2. Turn off section 1, if the pressure increases above 3 bar, turn the balancing valve anti clockwise until the pressure is at 3 bar. If the pressure decreases below 3 bar, turn the balancing valve clockwise until the pressure is at 3 bar. Switch the section back on so the whole boom is spraying. Repeat the procedure for sections 2,3,4,5



Operation:

The switch box comes with a 12v 'D' plug for power. Modern tractors should come with a female D plug installed. If it has not, get your dealer to install one. Push in cigarette lighter type sockets are not good enough for professional 12v connections.

Electric controls supplied as either 3 section or 5 section:

Boom section switches



Spray On
Spray Off
Whole boom

Pressure Increase
Pressure Decrease

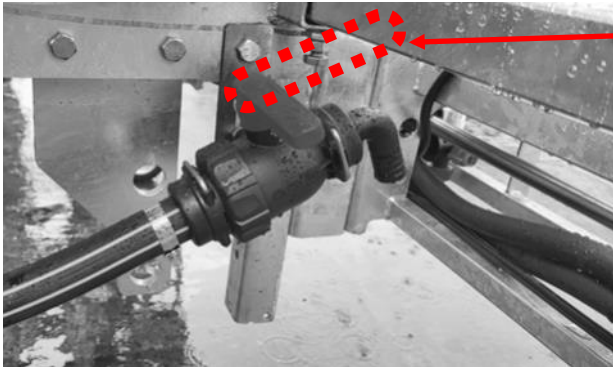
Foam Marker

Left Boom Right Boom



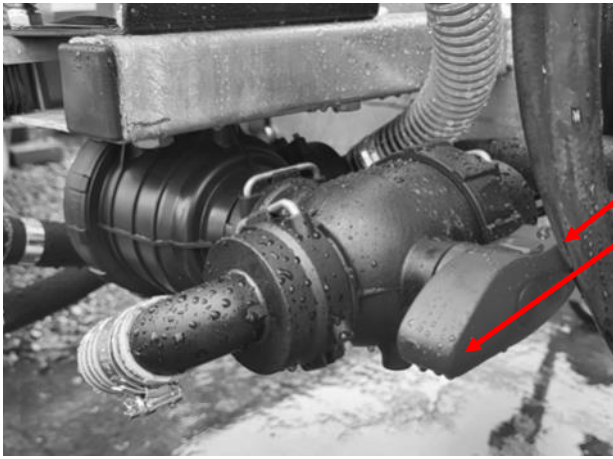
Tank Suction & Tank Drain

Underneath the main tank , at the rear of the machine is a valve which has 2 positions.



DRAIN POSITION

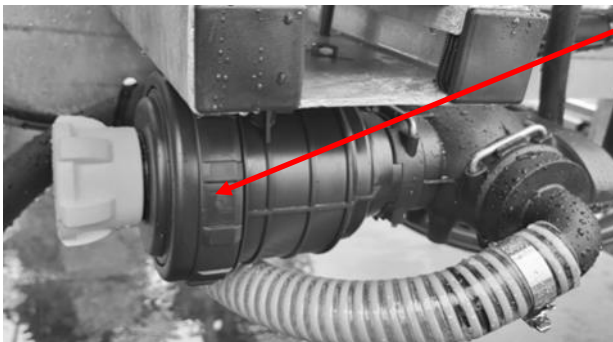
The valve must be pointing **RIGHT** to allow the tank contents to drain out



MAIN TANK SUCTION OR CLEAN WATER SUCTION

Valve Arrow pointing **RIGHT**= Clean Water Suction

Valve Arrow pointing **LEFT** = Main Tank Suction



SUCTION FILTER LOCATED UNDER THE PUMP

To clean the suction filter (**WEEKLY**) you must remove the yellow plunger first. Once it is removed, you should unscrew the large filter nut and remove the filter element to clean. Be careful not to lose the large filter O ring in the housing. Once cleaned, put back together and make sure the filter is fully assembled before replacing the yellow plunger

Chemical Mixer Hopper



CLEVELAND ALLIANCES LTD
INDUSTRY AGRICULTURE AMENITY

To use the induction hopper, there must be water in the main tank and the pump needs to be running at a minimum PTO speed of 400rpm.



Twist the hinged lid anti clockwise to open

Hopper Empty to main tank

If the valve is at 3 o'clock or 9 o'clock position, the hopper will not empty. To empty, turn the valve to the 12 o'clock or 6 o'clock position

The pump need to be running at a minimum of 400rpm PTO speed

Internal Rinse

Agitator

Can Wash

Arrow on the valve handle pointing towards the centre of the hopper (left) means the hopper is on and ready to use

Arrow on the valve handle pointing towards the boom (right) means the hopper is off and you are ready to spray.

THE MACHINE WILL NOT SPRAY IF THE HOPPER IS ON



Main Sprayer Tank Rinse

Hose Reel (if fitted)

Auxiliary Valve

Internal Bowl Rinse

Agitator inside the hopper

Chemical Can washer

Boom Operation



CLEVELAND ALLIANCES LTD
INDUSTRY AGRICULTURE AMENITY

6m boom

The 6m boom has 4 nozzles per boom section at 50cm spacing. The boom is equipped with spring adjusted break-back devices in case of collision. The tension on the springs can be adjusted by the 30mm nut on top of the boom hinge. Do not make too tight. Doing so can cause too much rigidity and cause the boom to bend in there is collision. Usually 20 to 25mm of thread above the adjustment nut is adequate.

To open the boom:

- Pull the right hand boom arm towards you and open it towards the right hand side of the machine. Be sure to locate the boom in the fully open position
- Once the right hand boom arm is secured, pull the left hand boom arm towards you and open it towards the left hand side of the machine. Be sure to locate the boom in the fully open position

On a weekly basis, APPLY GREASE to the folding mechanism when the boom arm is half way between being full open and fully closed. **WARNING: DO NOT MOVE THE BOOM ARM WHEN YOU ARE GREASING THE BOOM HINGE. YOU MAY TRAP YOUR FINGERS IN THE MECHANISM. TAKE NOTE**



When **closing**, close **LEFT** hand boom arm first

When **opening**, open **RIGHT** hand boom arm first



Boom Operation

6m Hydraulic/Electric Boom

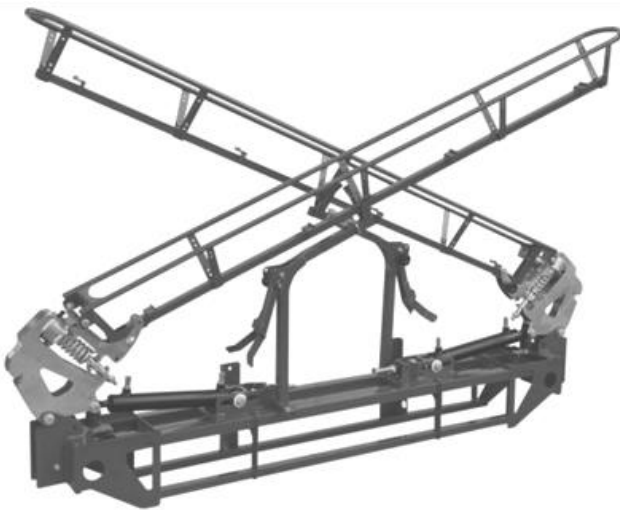
8m Hydraulic / Electric Boom

The 6m boom has 4 nozzles per boom section at 50cm spacing. The 8m boom has 4 nozzles in the centre, 3 nozzles on the first section and 3 nozzles on the second section. The boom is equipped with spring adjusted break-back devices in case of collision. The tension on the springs can be adjusted by the 30mm nut on top of the boom hinge. Do not make too tight. Doing so can cause too much rigidity and cause the boom to bend in there is collision. Usually 20 to 25mm of thread above the adjustment nut is adequate.

To open the boom:

- You will have 2 switches mounted on a box which has a 12v feed near the drivers position
- You can open either boom at any time or both booms together. There is a fuse for each switch underneath the switch on the external area of the switch box

On a weekly basis, APPLY GREASE to the folding mechanism when the boom arm is half way between being full open and fully closed. **WARNING: DO NOT MOVE THE BOOM ARM WHEN YOU ARE GREASING THE BOOM HINGE. YOU MAY TRAP YOUR FINGERS IN THE MECHANISM. TAKE NOTE**







Golf 6m



Golf 8m



Nozzle Application Chart

COD. 110° CODE 110° CÓD. 110°	 bar	 drop 110°	 l/min	l/ha (spazio tra gli ugelli: 50 cm) l/ha (nozzle spacing: 50 cm) l/ha (espacio entre las boquillas: 50 cm)											 drop 80°	COD. 80° CODE 80° CÓD. 80°
				4 km/h	6 km/h	8 km/h	10 km/h	12 km/h	14 km/h	16 km/h	18 km/h	20 km/h	25 km/h			
SF11001	1.5	F	0.28	85	57	42	34	28	24	21	19	17	14	F	SF08001	
	3	VF	0.40	120	80	60	48	40	34	30	27	24	19	VF		
	5	VF	0.52	155	103	77	62	52	44	39	34	31	25	VF		
	7	VF	0.61	183	122	92	73	61	52	46	41	37	29	VF		
SF110015	1.5	F	0.42	127	85	64	51	42	36	32	28	25	20	F	SF080015	
	3	VF	0.60	180	120	90	72	60	51	45	40	36	29	VF		
	5	VF	0.77	232	155	116	93	77	66	58	52	46	37	VF		
	7	VF	0.92	275	183	137	110	92	79	69	61	55	44	VF		
SF11002	1.5	F	0.57	170	113	85	68	57	48	42	38	34	27	F	SF08002	
	3	F	0.80	240	160	120	96	80	69	60	53	48	38	F		
	5	VF	1.03	310	207	155	124	103	89	77	69	62	50	VF		
	7	VF	1.22	367	244	183	147	122	105	92	81	73	59	VF		
SF110025	1.5	F	0.71	212	141	106	85	71	61	53	47	42	34	---	NA	
	3	F	1.00	300	200	150	120	100	86	75	67	60	48			
	5	VF	1.29	387	258	194	155	129	111	97	86	77	62			
	7	VF	1.53	458	306	229	183	153	131	115	102	92	73			
SF11003	1.5	M	0.85	255	170	127	102	85	73	64	57	51	41	M	SF08003	
	3	F	1.20	360	240	180	144	120	103	90	80	72	58	F		
	5	F	1.55	465	310	232	186	155	133	116	103	93	74	F		
	7	VF	1.83	550	367	275	220	183	157	137	122	110	88	VF		
SF11004	1.5	M	1.13	339	226	170	136	113	97	85	75	68	54	M	SF08004	
	3	F	1.60	480	320	240	192	160	137	120	107	96	77	F		
	5	F	2.07	620	413	310	248	207	177	155	138	124	99	F		
	7	F	2.44	733	489	367	293	244	209	183	163	147	117	F		
SF11005	1.5	C	1.41	424	283	212	170	141	121	106	94	85	68	C	SF08005	
	3	M	2.00	600	400	300	240	200	171	150	133	120	96	M		
	5	M	2.58	775	516	387	310	258	221	194	172	155	124	M		
	7	M	3.06	917	611	458	367	306	262	229	204	183	147	M		
SF11006	1.5	C	1.70	509	339	255	204	170	145	127	113	102	81	C	SF08006	
	3	C	2.40	720	480	360	288	240	206	180	160	144	115	C		
	5	C	3.10	930	620	465	372	310	266	232	207	186	149	C		
	7	C	3.67	1.100	733	550	440	367	314	275	244	220	176	C		
SF11008	1.5	C	2.26	679	453	339	272	226	194	170	151	136	109	C	SF08008	
	3	C	3.20	960	640	480	384	320	274	240	213	192	154	C		
	5	C	4.13	1.239	826	620	496	413	354	310	275	248	198	C		
	7	C	4.89	1.466	978	733	587	489	419	367	326	293	235	C		
SF11010	1.5	C	2.83	849	566	424	339	283	242	212	189	170	136	C	SF08010	
	3	C	4.00	1.200	800	600	480	400	343	300	267	240	192	C		
	5	C	5.16	1.549	1.033	775	620	516	443	387	344	310	248	C		
	7	C	6.11	1.833	1.222	917	733	611	524	458	407	367	293	C		
SF11015	1.5	VC	4.24	1.273	849	636	509	424	364	318	283	255	204	---	NA	
	3	VC	6.00	1.800	1.200	900	720	600	514	450	400	360	288			
	5	VC	7.75	2.324	1.549	1.162	930	775	664	581	516	465	372			
	7	VC	9.17	2.750	1.833	1.375	1.100	917	786	687	611	550	440			





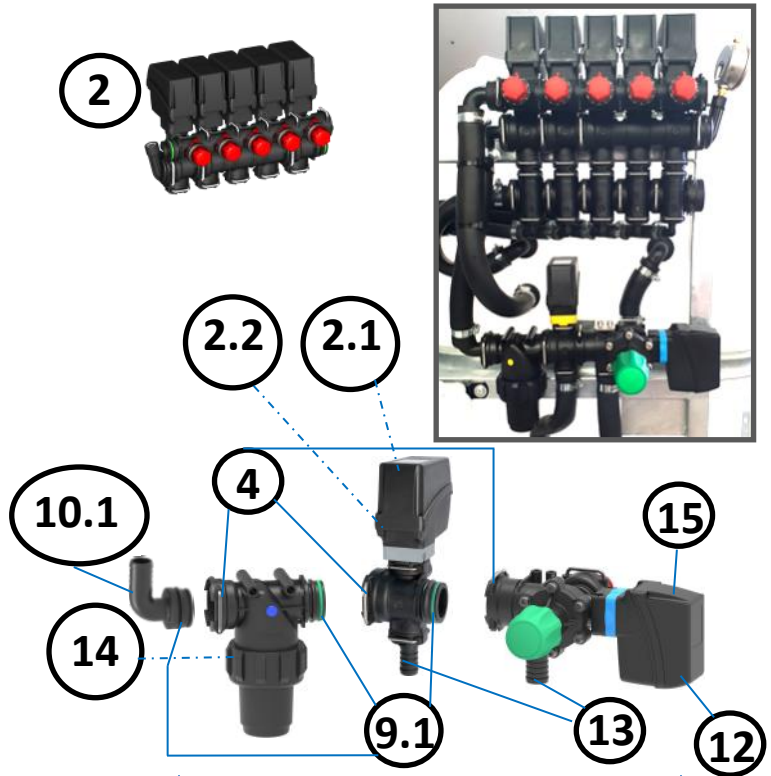
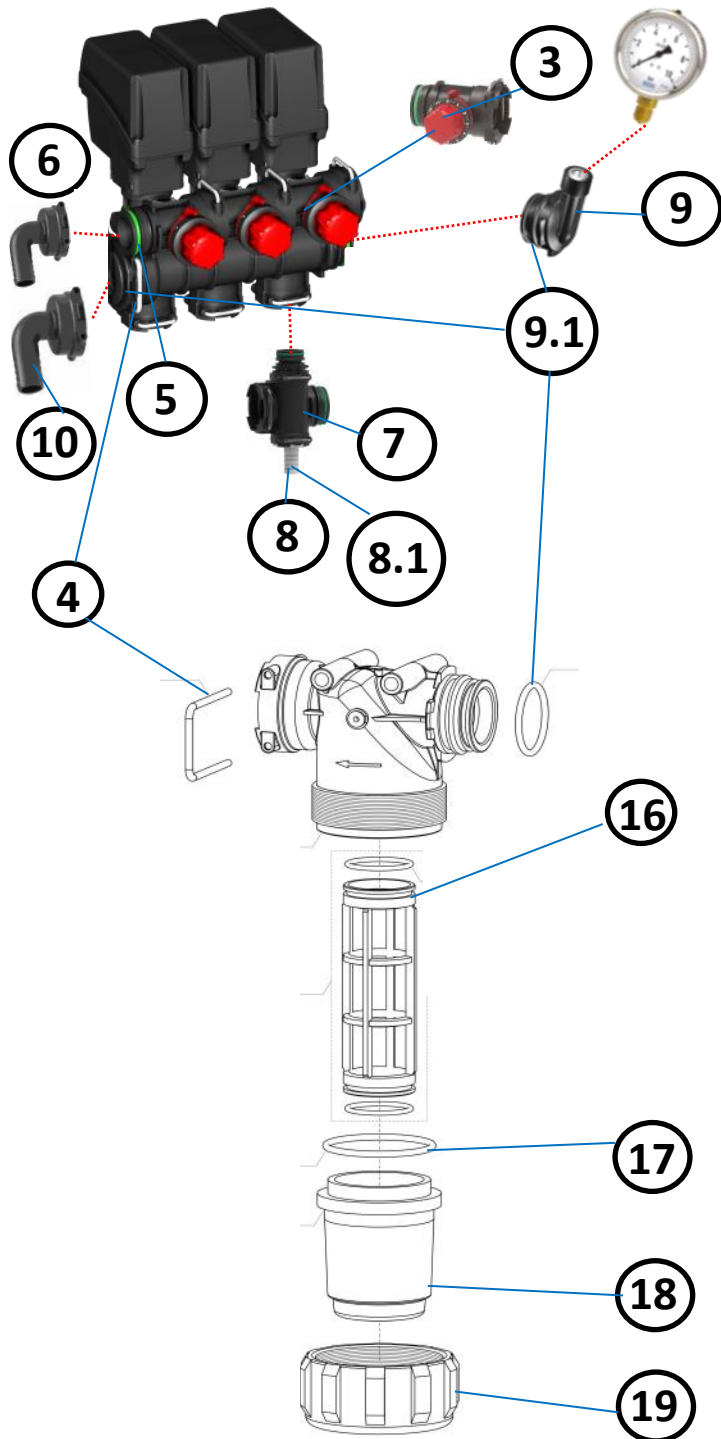
CLEVELAND ALLIANCES LTD
INDUSTRY AGRICULTURE AMENITY

PARTS LIST

Parts Diagrams

Electric Controls:

Electric 3 section & 5 Section



1	3 section electric boom valves	0310368T
2	5 section electric boom valves	0510368T
2.1	Complete Electric Regulator (motor & Body) GREY band	S020368T
2.2	Complete Electric Regulator (motor & Body) YELLOW band	020368T
2.3	Regulator Motor only Grey Band	005S020368T
2.4	Regulator Motor only Yellow Band	005020368T
3	Balancing Tap Valve	0180102364
4	Stainless steel fork	500010
5	O ring	45011G
6	Hose Tail 90°	5240911
7	Manifold Valve	0030002368T
8	Boom hose tail 13mm	3131901
8.1	Boom hose tail 19mm	2031901
9	Pressure Gauge Holder	110364T
9.1	O ring	36011G
10	Hose Tail 90°	5240911
10.1	Hose Tail 90°	5251911
11	O ring	65011G
12	Electric Main on/off unit and pressure relief valve	205T178
13	Hose tail	C52A100374
14	Complete Filter Unit	3M02223
15	Electric on/off motor only	0090568
16	Filter Element	0303002323
17	Main filter housing O ring	71011G
18	Filter Bowl	0200004223
19	Filter Nut	0500004223
20	Switch box	35359664
20.1	Switch box	35559664
21	Control mounting bracket	015500764



Parts Diagrams

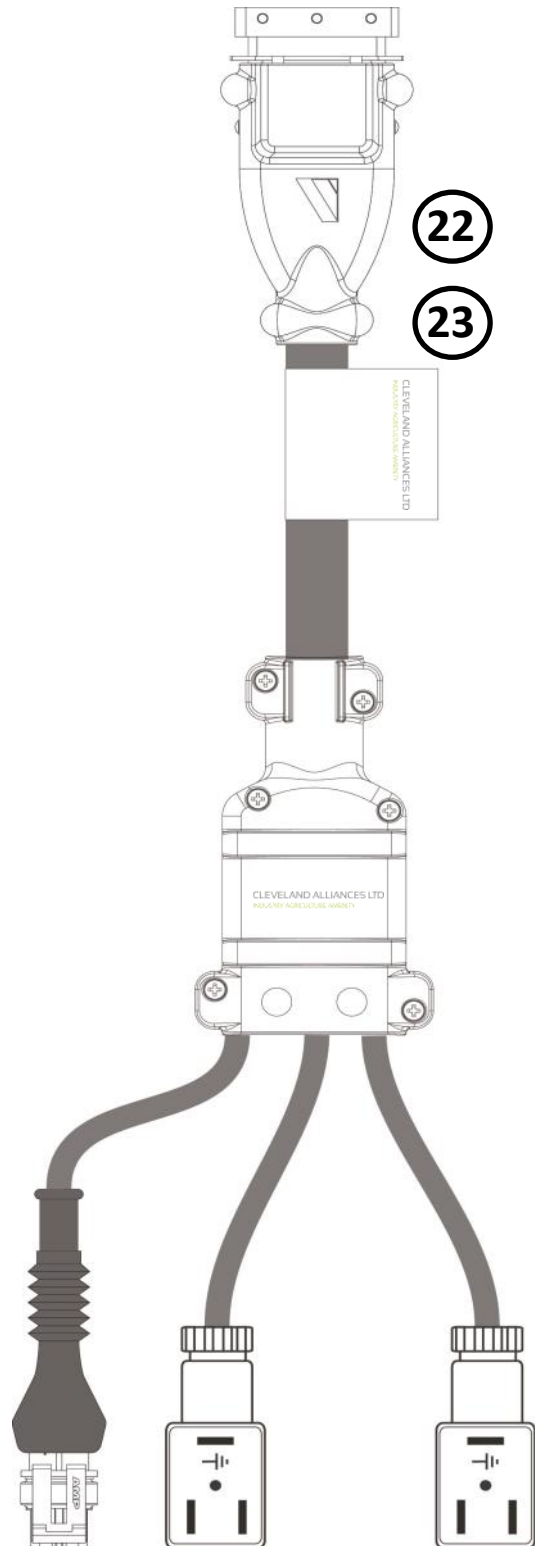
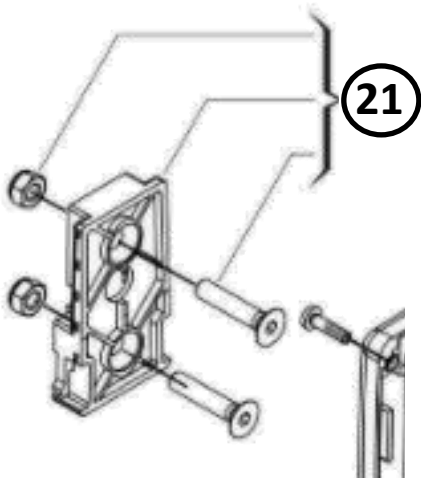
Electric Controls:

Electric 3 section & 5 Section Continued



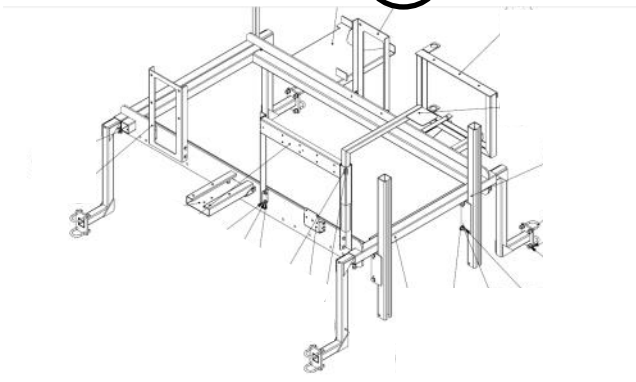
CLEVELAND ALLIANCES LTD
INDUSTRY AGRICULTURE AMENITY

20	Switch box 3 boom Switches	35359664
20.1	Switch box 5 boom switches	35559664
21	Control mounting bracket	015500764
22	3 section wiring harness	001203569.664
23	5 section wiring harness	001205569.664
24	3 pin 12v D plug	400554
25	3 pin 12v D socket	905049



Chassis , Tank, Tank Connections STANDARD MACHINE

1



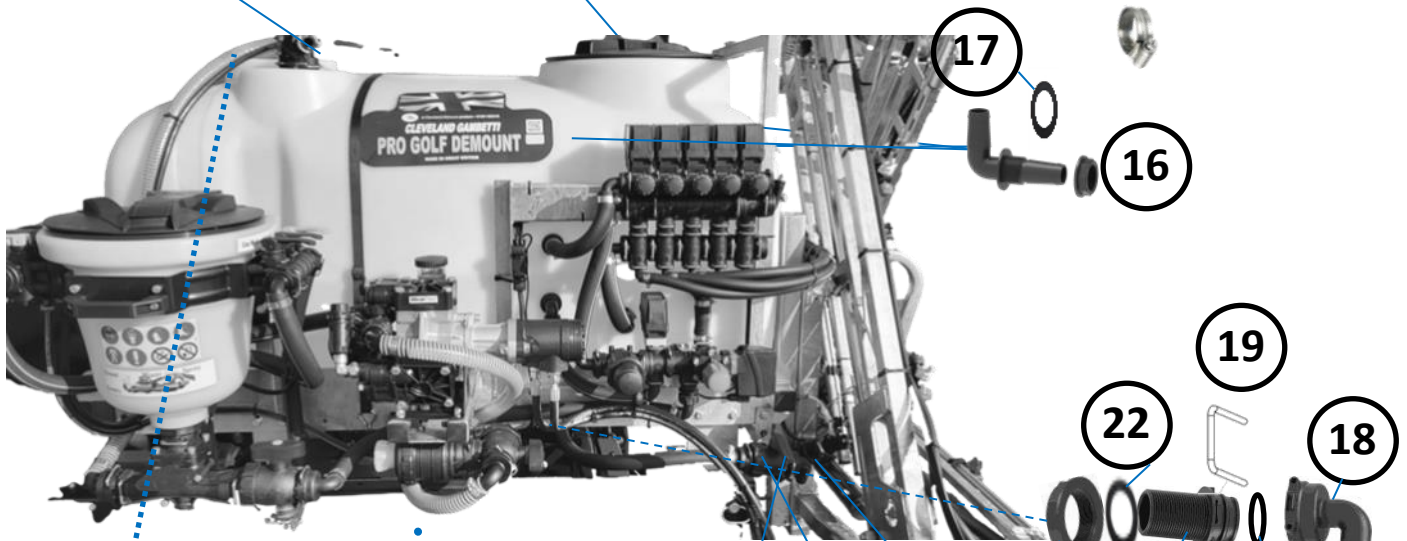
5.1



1	Frame for Demount	2CV
2		
3		
4		
4.1		
5	Tank lid Complete	060653
5.1	Filter basket	621003
6	90° hose tail	5122311
7	Rubber washer	G40002
8	Back nut	0202502
9	Handwash tap	9003555
10	Fast Fill Assembly	GEKAFF
11		
12	Hose Clip	HCLIP30
13		
14		
15	Filter Basket	621003
16	Tank return fittings x 3	624811
17	Seal	40004G

10

5



23

18

19

20

22

21

25

23

22

29

20

21

27

26

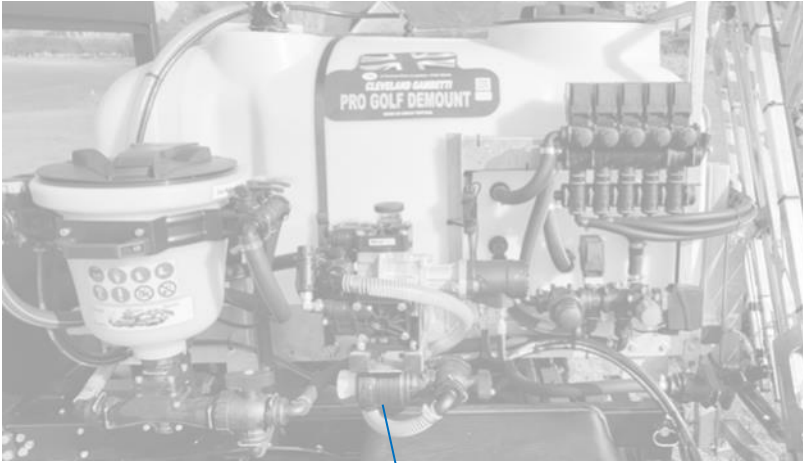
25

21

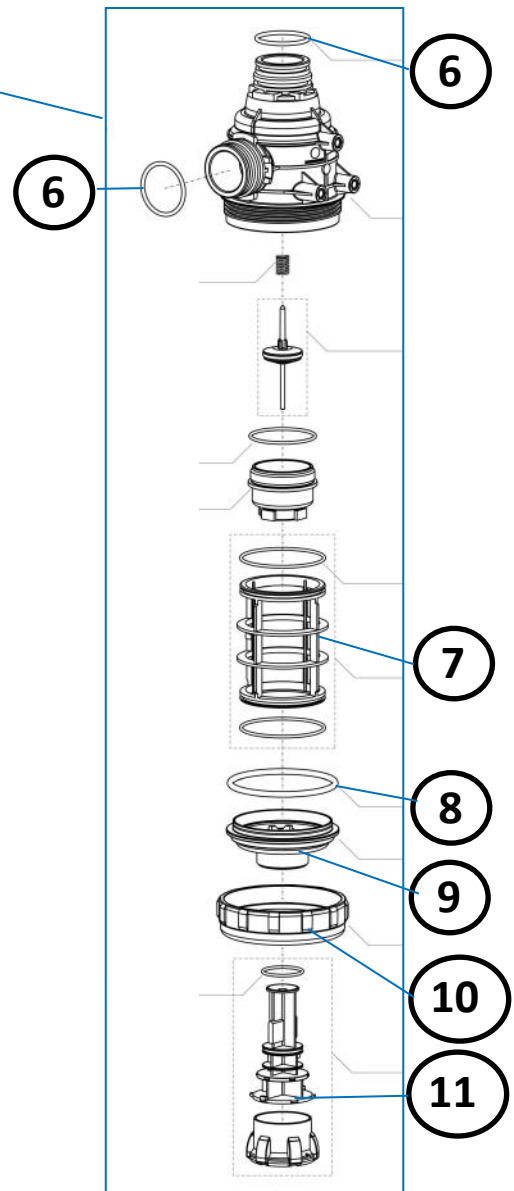
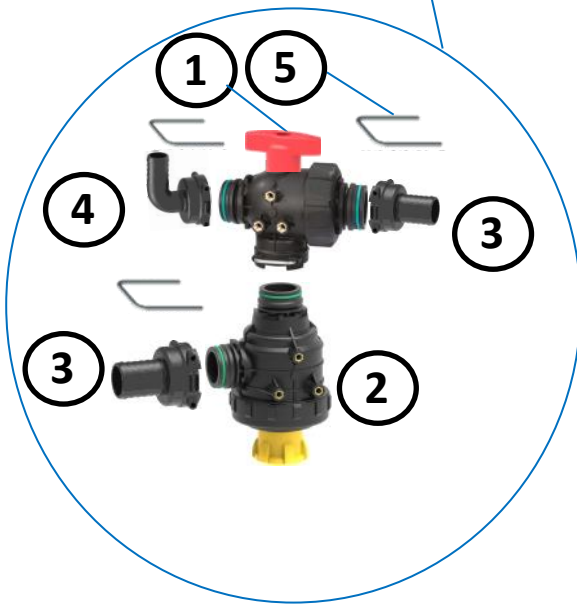
20

23

18	90° hose tail	0350911
19	Pin	500010
20	Tank Fitting	1551942
21	Back nut	0502502
22	Seal	50004G
23	O ring	36011G
24	Clothing / Storage Locker	611260644
25	Hose tail	0350901
26	Drain Valve	50441554
27	45° hose tail	5242911



1	Ball Valve	
2	Complete Filter	342313
3	Hose tail	0350901
4	90° hose tail	0350911
5	ALL Pins	500010
6	O ring	32011G
7	Filter element c/w O rings	0303002813
8	Filter housing O ring	050000413
9	Filter Bowl	0200042313
10	Filter Nut	040000413
11	Plunger Valve	0600042413
12	Valve Bank Complete	005035MT364
13	Hose tail	3131901
14	90° hose tail	0350911

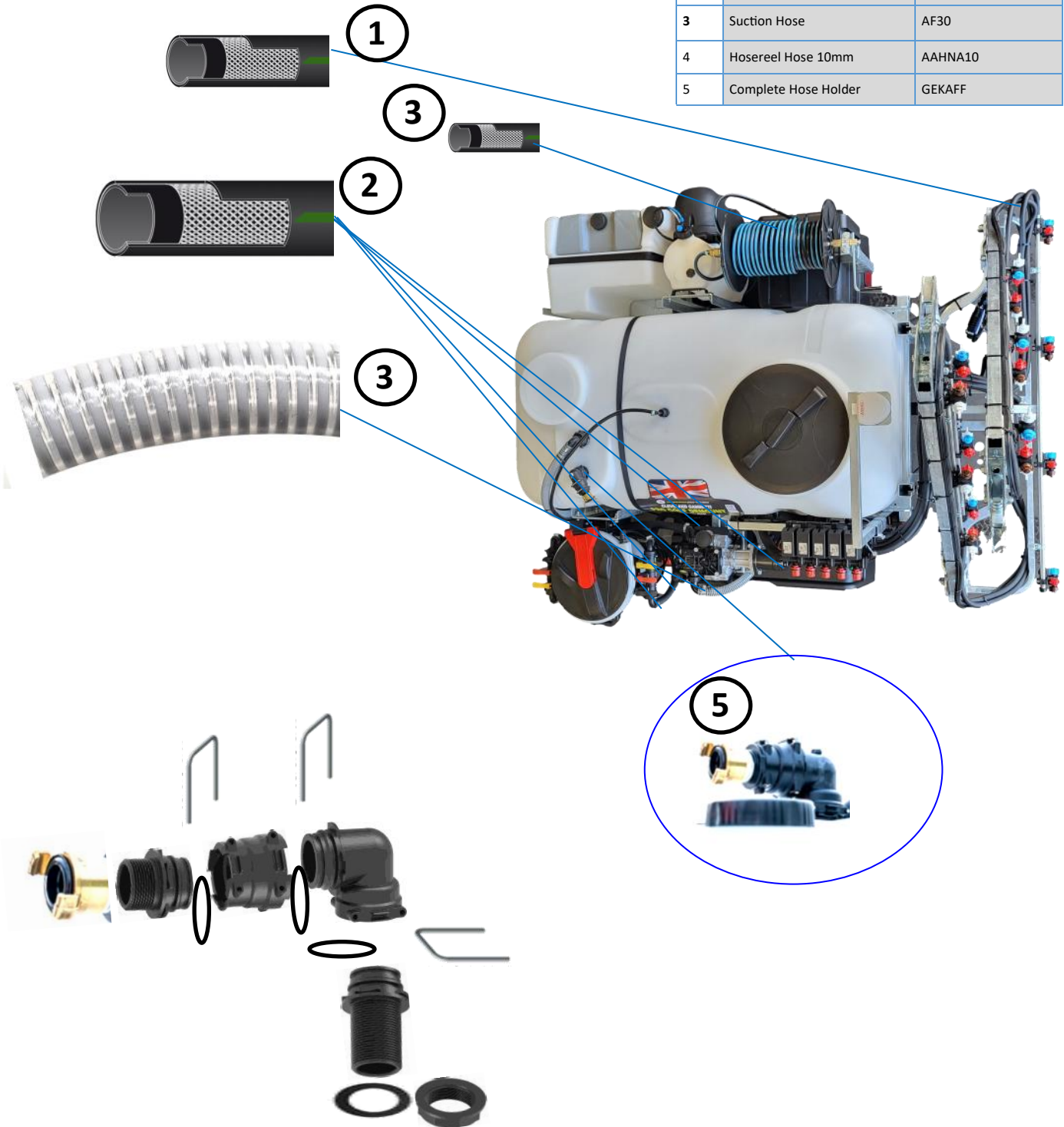


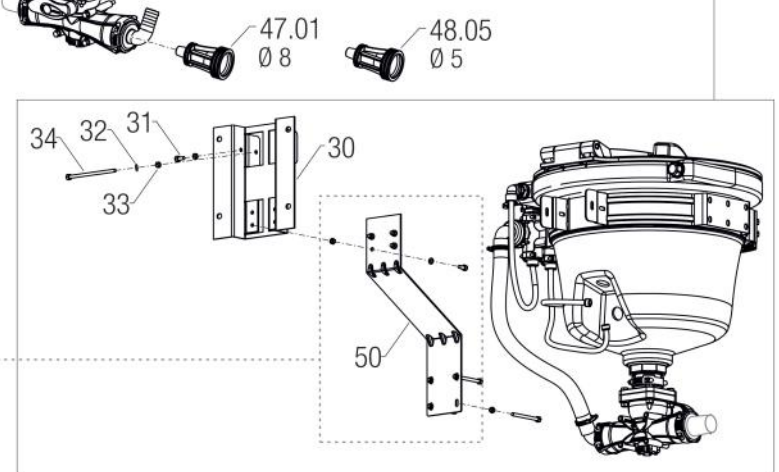
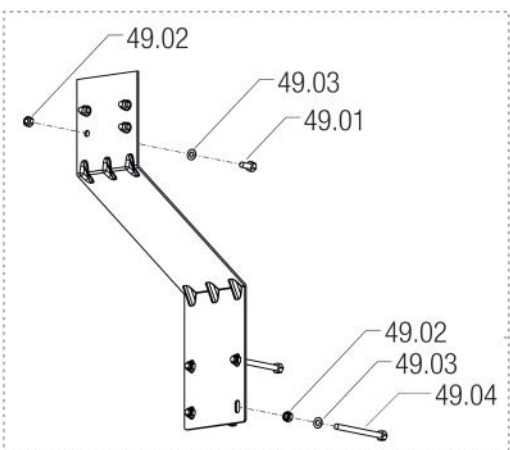
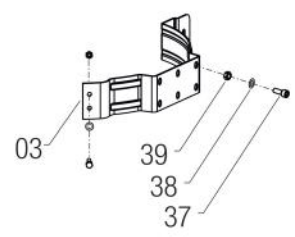
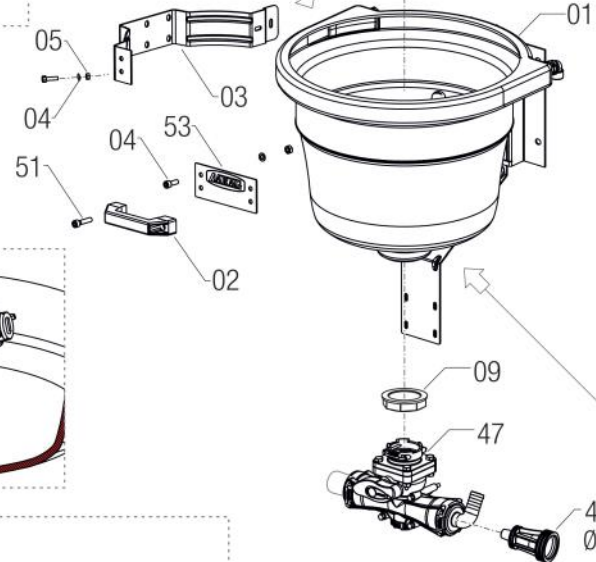
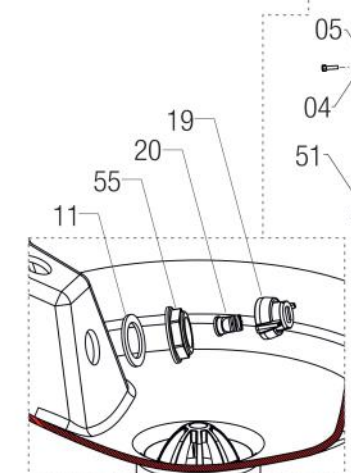
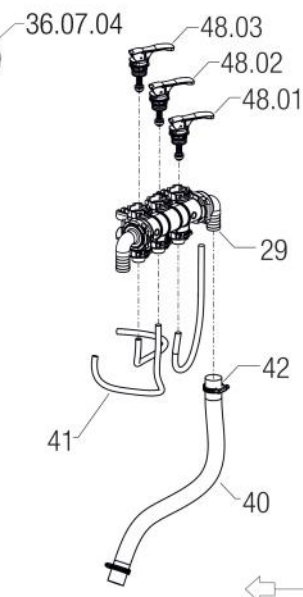
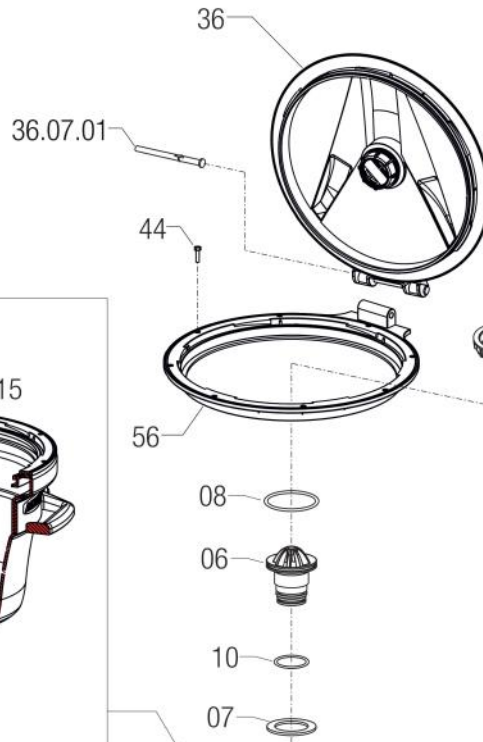
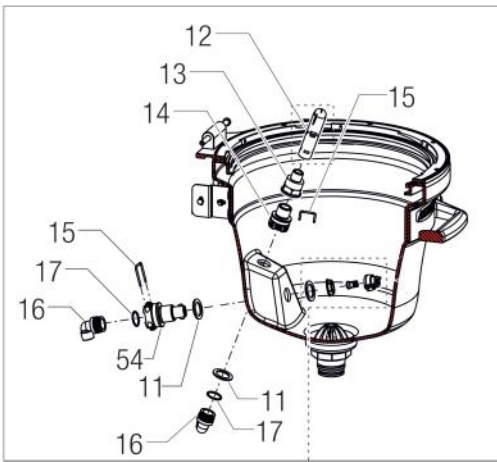
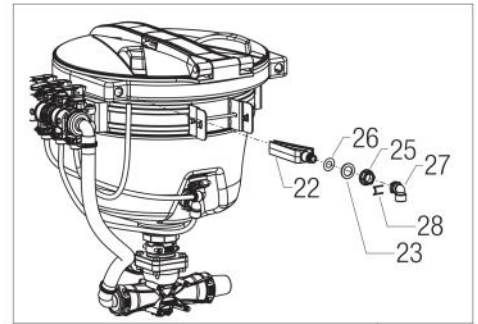
Hoses for Pro Golf Range



CLEVELAND ALLIANCES LTD
INDUSTRY AGRICULTURE AMENITY

1	Boom Line feed hose	AP18B13
2	Pressure & return hose	AP18B25
3	Suction Hose	AF30
4	Hosereel Hose 10mm	AAHNA10
5	Complete Hose Holder	GEKAFF







CODE

Chemical Mixer Hopper

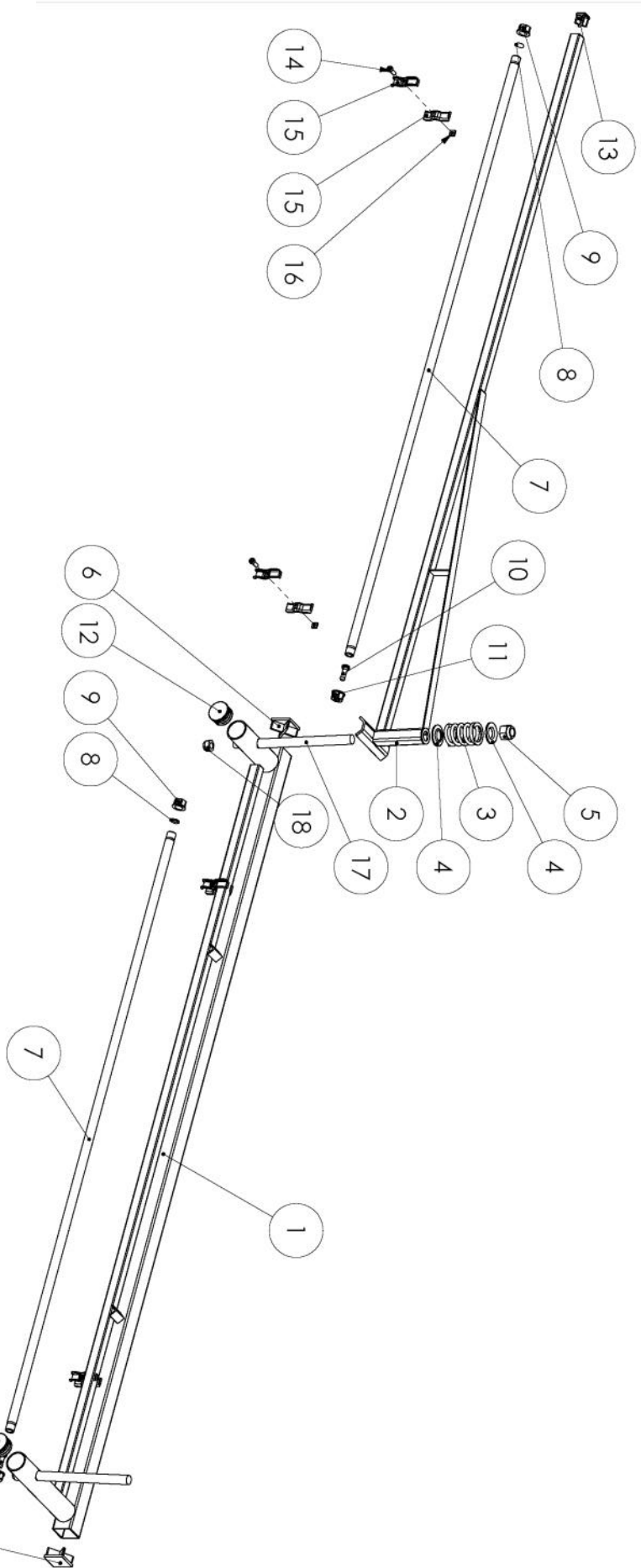
1023305

REFERENCE	CODE	DESCRIPTION
01	0101023305	TANK MIXER NIAGARA 20LT
02	0401023305	HANDLE MIXER NIAGARA 20LT
03	5401023305	STEEL BAND MIXER NIAGARA
04	L52C1V	SCREW TCEI 8X20 INOX UNI 5931
05	15201B	NUT M 8X13X6,5 UNI5588 * INOX
06	0201033305	TANK DISCHARGE FITTING
07	70004G	FLAT GASKET 59X86X4 EPDM
08	V76011G	OR 3,53X82,14 VITON
09	0702502	BACK NUT 2"
10	V32011G	OR 3,53X41,28 VITON
11	51004G	FLAT GASKET 27,5X39,5X2,5 EPDM
13	3202542	REDUCTION F-M 3/4"-1/2"
14	330942	HOSETAIL T3F 3/4"M
15	300010	FORK D.3 DIST.29
16	01C31911	ELBOW T3M AR D.10
17	85011G	ORING 2,62X25,07 EPDM
19	30809204	QUICK FITTING CAP FLOODJET RED
20	01041FED224	DEFLECTOR 140° NOZZLE 10.0 BLACK
22	5301033305	WASHING DEFLECTOR NIAGARA
23	20004G	FLAT GASKET 21X33X2 EPDM
25	0202502	BACK NUT 1/2"
26	65011G	OR 2,62X12,37 EPDM
27	01C10911	ELBOW T1F AR D.10
28	100010	FORK D.2 DIST.16
29	005035MT364	3W.MAN.VALVES UNIT T5 NIAGARA NO H.
30	0501033305	FIX. STRUCT.TANK MIXER NIAGARA
31	F42M1V	SCREW 6X14 INOX
32	3F202B	WASHER 6,2X12X0,8 INOX
33	14221B	SELF-LOCKING NUT M6 INOX UNI7474
34	442M1V	SCREW TE 6X120 INOX
36	009042653	HINGED LID D.355 C/W LABYR. NO RING
36.07.01	040060653	PIN FOR ARM HINGED LID
36.07.04	0702002	FLY-NUT 2"
37	K52M1V	SCREW TE 8X25 INOX
38	0H202B	FLAT WASHER 8,4X15X1,5 INOX
39	15201B	NUT M 8X13X6,5 UNI5588 * INOX
40	0601033305	PVC HOSE D.25X33 L.45CM
41	0701033305	COPEY HOSE 8X10 L.45 CMS.
42	1601033305	INOX HOSE CLAMP FOR HOSE D.20/32
44	F52S7V	SELF-T. SCREW FOR PLAST.5X16 INOX
47	10M354	NIAGARA MIXING VALVE
47.01	0801033305	NOZZLE D.8 NIAGARA
48.01	005U150T364	BLACK HANDLE KIT MODUL. T5
48.02	005150T364	RED HANDLE KIT MODUL. T5
48.03	105150T364	YELLOW HANDLE KIT MODUL. T5
48.05	3801033305	NOZZLE D.5 NIAGARA GREY
49.01	F42M1V	SCREW 6X14 INOX
49.02	14221B	SELF-LOCKING NUT M6 INOX UNI7474
49.03	3F202B	WASHER 6,2X12X0,8 INOX
49.04	W42M1V	SCREW 6X80 INOX
50	5501023305	FIX. STRUCT.VENTURI MIXER NIAGARA
51	M52C1V	SCREW TCEI 8X35 INOX UNI 5931
52	0H202B	FLAT WASHER 8,4X15X1,5 INOX
53	1401023305	HANDLE SUPPORT NIAGARA 20 LT
54	182004	QUICK COUPL. NOZZLE HOLDER T3F FIT.
55	0302502	BACK NUT 3/4"
56	120240653	ANELLO BAION.RIB.D.355 S/BOR C/GUAR

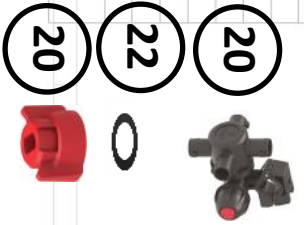
6M MANUAL FOLDING BOOM



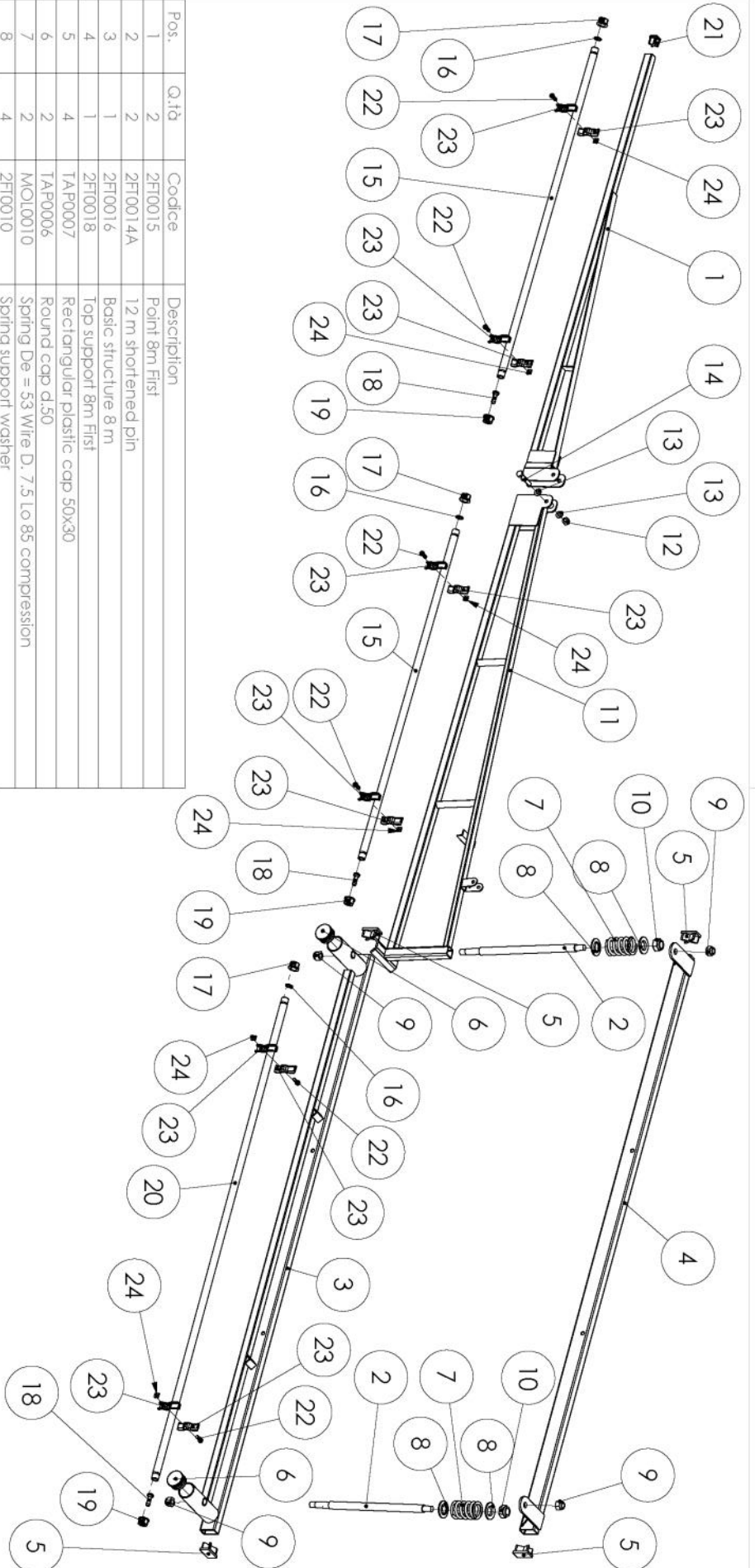
CLEVELAND ALLIANCES LTD
INDUSTRY AGRICULTURE AMENITY



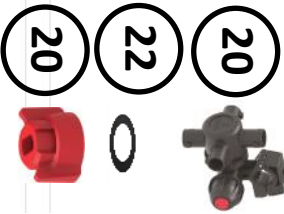
1	1	2FT0191	6 m offset basic structure
2	2	2FT0012	Tip 6 mt
3	2	MOL0010	Spring De = 53 Wire D. 7.5 Lo 85 compression
4	4	2FT0010	Spring support washer Di:22xD:50
5	2	DAD0015	M22 zinc-plated self-locking nut
6	2	TAP0005	Square plastic cap 50x50
7	3	BD158F4	STAINLESS STEEL 4 holes int. 500 L = 1580
8	3	AOR0012	Gasket G10020 for female cap 'OR' d.14x3 - ARAAG
9	3	TAP0011	Female cap 1/2 Gas 210 2020 - ARAAG
10	3	RPC0072	Hose connector with gasket d.10 - 28.F.00410 METALPI
11	3	RPC0016	1/2 Gas 200 2020 - ARAAG
12	2	TAP0006	Round cap d.50
13	2	TAP0001	Square plastic cap 25x25
14	6	VIT0046	UNI 5931 galvanized TCEI M8x 20 screw
15	12	2BR0073	Hook for tube D.21.3
16	6	DAD0004	Square nut M8
17	2	2FT0186	Pin shortened 4,5-6 m
18	2	DAD0017	Low zinc-plated M16 self-locking nut
19	12	4012747	



20	QUAD Nozzle Body	7274604
21	Nozzle Cap BLUE	40009204
21	Nozzle Cap RED	30009204
21	Nozzle Cap BROWN	70009204
21	Nozzle Cap WHITE	20009204
22	Nozzle Cap Seal	040002204

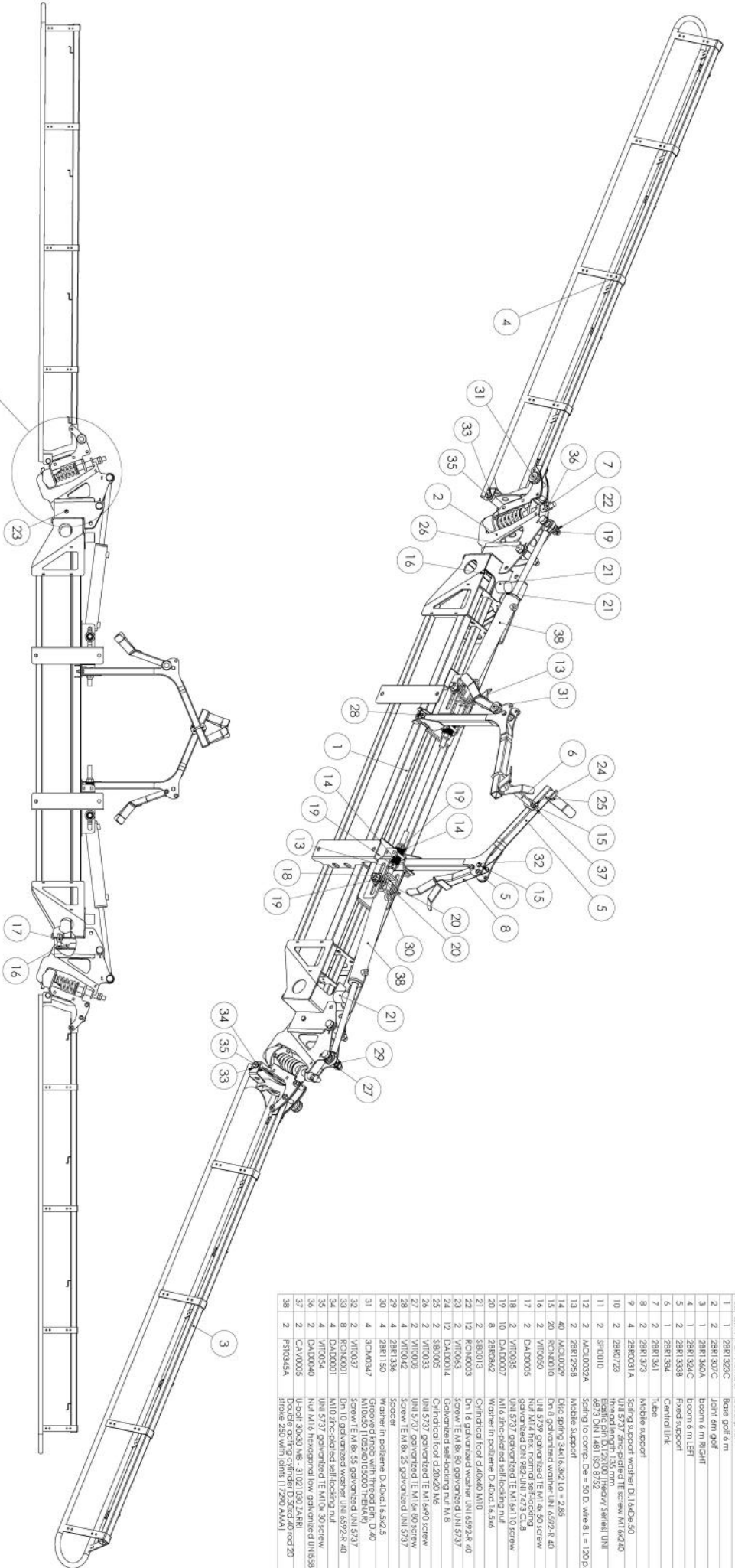


Pos.	Q.tà	Codice	Description
1	2	2FT0015	Point 8m First
2	2	2FT0014A	12 m shortened pin
3	1	2FT0016	Basic structure 8 m
4	1	2FT0018	Top support 8m First
5	4	TAP0007	Rectangular plastic cap 50x30
6	2	TAP0006	Round cap d:50
7	2	MOU0010	Spring De = 53 Wire D. 7.5 Lo 85 compression
8	4	2FT0010	Spring support washer
9	4	DAD0007	M1 6 zinc-plated self-locking nut
10	2	DAD0022	Low self-locking nut M22 galvanized
11	2	2FT0019	Arm 8 m first
12	2	DAD0001	M10 zinc-plated self-locking nut
13	4	RON0001	Dn 10 galvanized washer UNI 6592-R 40
14	2	VIT0044	UNI 5737 galvanized TE M10x 60 screw
15	4	BD108F3	STAINLESS STEEL 3 holes int. 500 L = 1080
16	5	AOR0012	Gasket G10020 for female cap 'OR' d.1.4x3 - ARAG
17	5	TAP0011	Female cap 1/2 Gas 210 2020 - ARAG
18	5	RPG0072	Hose connector with gasket d.10 - 28.F.00410 METAL.PI
19	5	RPG0016	1/2 Gas 200 2020 - ARAG
20	1	BD158F4	STAINLESS STEEL bars 4 holes int. 500 L = 1580
21	2	TAP0001	Square plastic cap 25x25
22	10	VIT0046	UNI 5931 galvanized TCEI M8x 20 screw
23	20	2BR0073	Hook for Tube D.21.3
24	10	DAD0004	Square nut M8



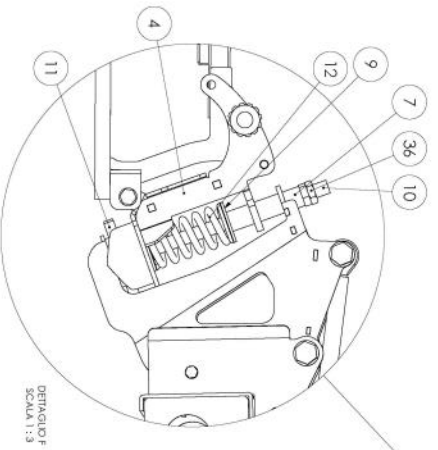
20	QUAD Nozzle Body	7474604
21	Nozzle Cap BLUE	40009204
21	Nozzle Cap RED	30009204
21	Nozzle Cap BROWN	70009204
21	Nozzle Cap WHITE	20009204
22	Nozzle Cap Seal	040002204

6M HYDRAULIC FOLDING BOOM



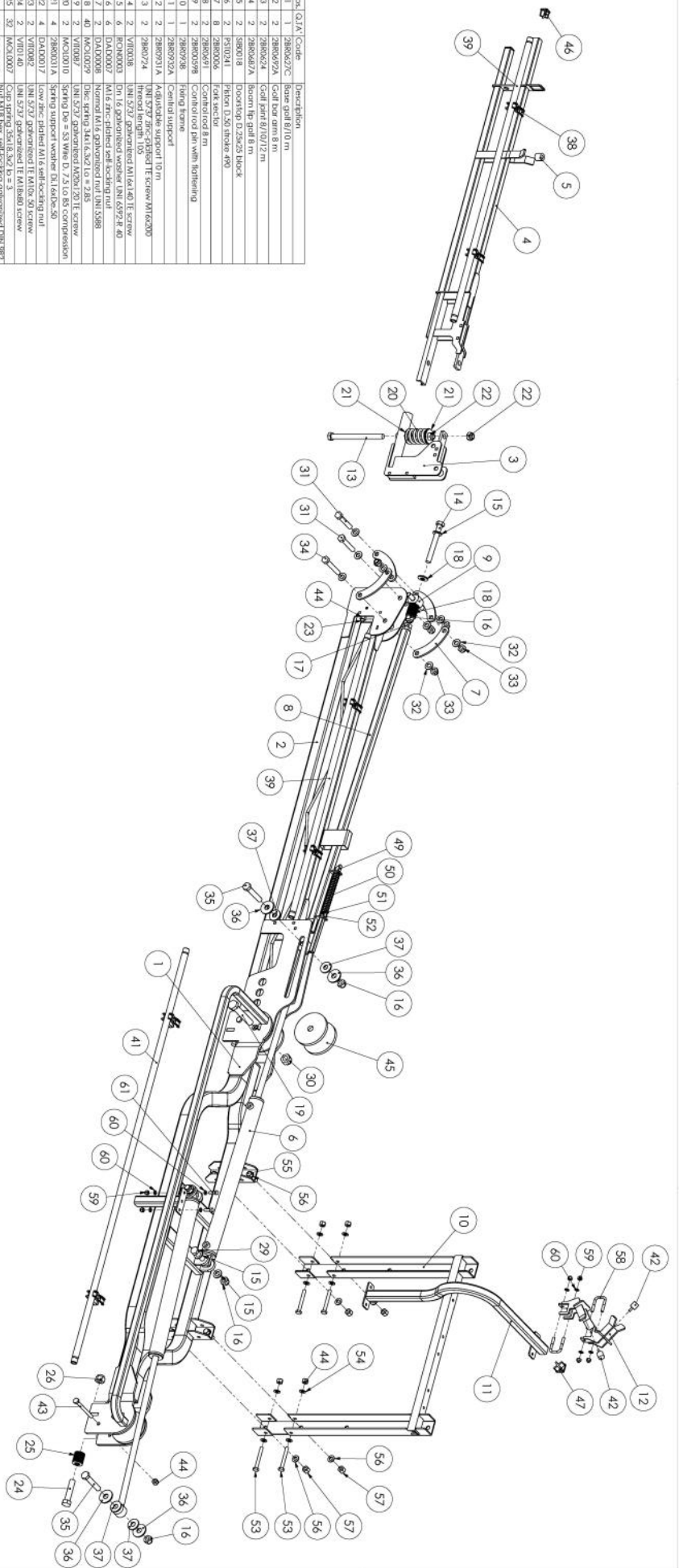
Part No.	Part Number	Description
1	28R1323C	Base post 6 m
2	28R1307C	Joint arm post
3	28R1360A	boom 6 m RIGHT
4	28R1324C	boom 6 m LEFT
5	28R1338B	Fixed support
6	28R1384	Central Link
7	28R1361	Tube
8	28R1373	Mobile support
9	28R0031A	Spring support washer D1.6x26x50
10	28R00723	UNI 5.79 hex. pointed TE screw M16x240
11	SPR0010	elastic part D1.2x100 (Treyer) xelastic UNI 69/3 UNI 1481 180 9/32
12	HC00033A	Spring to screw Dø = 30 D. when L = 120 p.20 19.5
13	28R1295B	Mobile support
14	28R1307C	Dn.5 Spring 30x1.3x2.1e = 2.85
15	28R0010	Dn.5 pointed washer UNI 6592 8 40
16	28R0050	UNI 5.79 galvanized TE UNI 4x 50 screw
17	DA00005	N4/ M1.6 hex. nut with self-locking
18	UNI0036	galvanized DIN 984 UNI 7x73 CL.8
19	DA00007	UNI 5.79 galvanized TE UNI 4x 50 screw
20	28R0042	Washer in polystyrene D.4x10.1x.5x6
21	18R0013	Cylindrical foot d.4x6x0 M10
22	18R0003	Dn.16 galvanized washer UNI 6592 8 40
23	UNI0035	Screw TE M16x 80 galvanized UNI 5.797
24	DA00014	Galvanized self-locking nut M 8
25	18R0005	Cylindrical foot d.20x20 M6
26	UNI0035	UNI 5.79 galvanized TE M16x80 screw
27	UNI0035	UNI 5.79 galvanized TE M16x 80 screw
28	28R1336	Spacer TE M16x 22 galvanized UNI 5.797
29	28R1336	Spacer
30	28R1150	Washer in polystyrene D.4x10.1x.5x2.5
31	32CA0342	M10x50 (105240105000) THEWAKH 1
32	UNI0035	Screw TE M16x 55 galvanized UNI 5.797
33	DA00001	M10 2pc. self-locking nut
34	DA00001	M10 2pc. self-locking nut
35	UNI0034	UNI 5.79 galvanized TE M10x 30 screw
36	DA00040	N4/ M1.6 hexagonal low galvanized UNI 5.599
37	CAV0005	U-bolt 30x50 M8 - 31021050 ZARRI
38	PS10454	Double garter cylinder D.50x40 rod 20 (tube 250 with joints 11.22x0.2xM6)

20	QUAD Nozzle Body	7474604
21	Nozzle Cap BLUE	40009204
21	Nozzle Cap RED	30009204
21	Nozzle Cap BROWN	70009204
21	Nozzle Cap WHITE	20009204
22	Nozzle Cap Seal	040002204

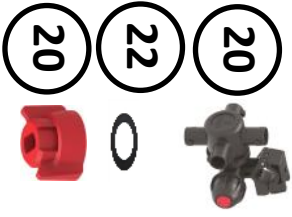


DETAGLIO F
SCALA 1:3

8M HYDRAULIC FOLDING BOOM

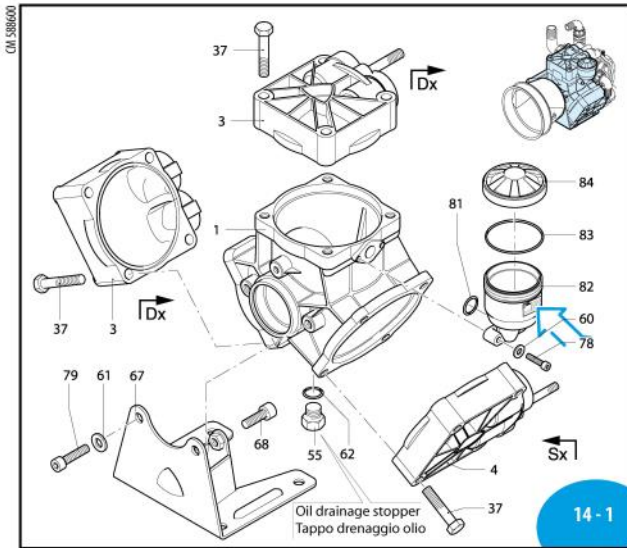


Pos.	QTY	Code	Description
1	1	248K027C	Base gull 8/10 m
2	2	248K029A	Gull bar diam 8 m
3	2	248K024	Gull pin 8/10/12 m
4	2	248K047A	Boom lip gull 8 m
5	2	580018	Doodloop D.2x625 black
6	2	FS10241	Pinon D.50 thole eye
7	8	248K006	Roll sector
8	2	248K029	Roller diam 8 m
9	2	248K029B	Control rod pin with bushing
10	1	248K029A	Hing frame
11	1	248K029A	Central support
12	2	248K031 A	Adjustable support 10 m
13	2	248K024	Hydr 37/7 pne-cylind TE screw M16x200
14	2	VR1006	Hydr 37/7 pne-cylind TE screw M16x140 TE screw
15	6	RCH0003	Din 16 galvanized washer UNI 6592-R 40
16	6	DA0007	M16 zinc-plated self-locking nut
17	2	DA0008	Normal M16 galvanized nut UNI 5588
18	40	MC0009	Disc 54Ting 34x16.5x27 Co = 235
19	2	VR1007	Hydr 37/7 galvanized roller 20 TE screw
20	2	VR1010	Hydr 37/7 galvanized roller 20 TE screw
21	4	248K031 A	Spring support washer D1 60Dp=50
22	4	DA0007	low disc-plated M16 self-locking nut
23	2	VR1002	UNI 57/7 galvanized TE M10x 50 screw
24	2	VR10 40	UNI 57/7 galvanized TE M16x80 screw
25	30	MC0007	Cup spring 35x18.5x27 b=3
26	2	DA0009	Nut M16 hex. self-locking galvanized DIN 992
29	2	VR1008	UNI 57/7 galvanized TE M16 80 screw
30	2	DA00011	Nut M20 hex. self-locking galvanized DIN 992
31	4	VR1005	UNI 57/7 galvanized TE M14x 80 screw
32	16	RCH0002	Din 14 galvanized washer UNI 6592-R 40
33	10	DA0005	Normal M14 galvanized nut UNI 5578
34	2	VR1034	UNI 57/7 galvanized TE M14x 90 screw
35	2	VR1033	UNI 57/7 galvanized TE M16x90 screw
36	4	RCH0009	18/48/4 galvanized overlock washer Din 18
37	4	248K030	Washer in position D.2x625 L6.5x4
38	10	248K022	Short tube hing group
39	4	1925400	3 section boom tube
41	1	1425400	4 section boom tube
42	2	580005	Cylindrical joint d.20x20 M6
43	2	VR1047	UNI 57/7 galvanized M10x110 TE screw
44	8	DA0001	M10 zinc-plated self-locking nut
45	4	DA0001	Normal M10 galvanized nut UNI 5578
46	4	DA0001	Square plastic cap 20x25
47	1	DA0004	Square plastic cap 30x30
49	1	Z8R1233	Gull sliding rod 10 m
50	1	MC00101 A	Spring Dia = 24 wire d = 2 Pitch = 8.3 24 pitch
51	1	VR1013	UNI 59/1 galvanized TECEI Max. 25 screw
52	1	DA0006	Normal self-locking nut M6 galvanized
53	4	VR1007	UNI 57/7 galvanized TE M10x 80 screw
54	8	RCH0001	Din 10 galvanized washer UNI 6592-R 40
55	4	VR1025	Screw TE M12x 40 galvanized UNI 5797 DIN 934
56	8	RCH0006	Din 12 galvanized washer UNI 6592-R 40
57	4	DA0002	M12 zinc-plated self-locking nut
58	2	CAV0005	U-bolts 30x30 M8 - 31071030
59	6	DA0014	M8 zinc-plated self-locking nut
60	8	RCH0010	Din 8 galvanized washer UNI 6592-R 40
61	2	VR1042	Screw TE M16x 25 galvanized UNI 5737



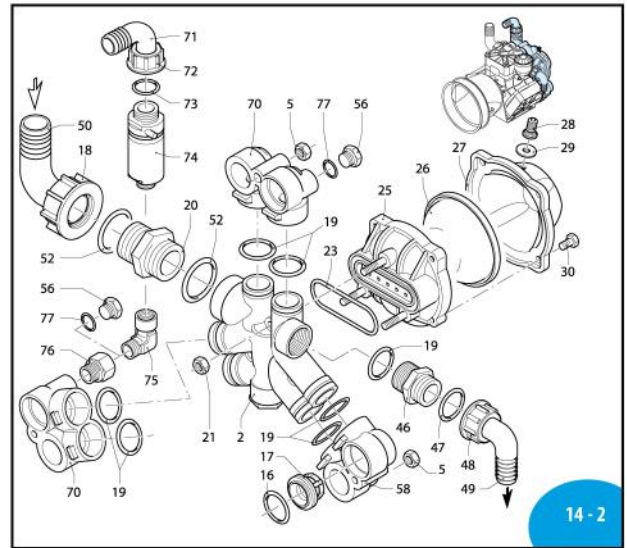
Part Number	Description	Quantity
20	QUAD Nozzle Body	7474604
21	Nozzle Cap BLUE	40009204
21	Nozzle Cap RED	30009204
21	Nozzle Cap BROWN	70009204
21	Nozzle Cap WHITE	20009204
22	Nozzle Cap Seal	040002204

Pro Golf Pump



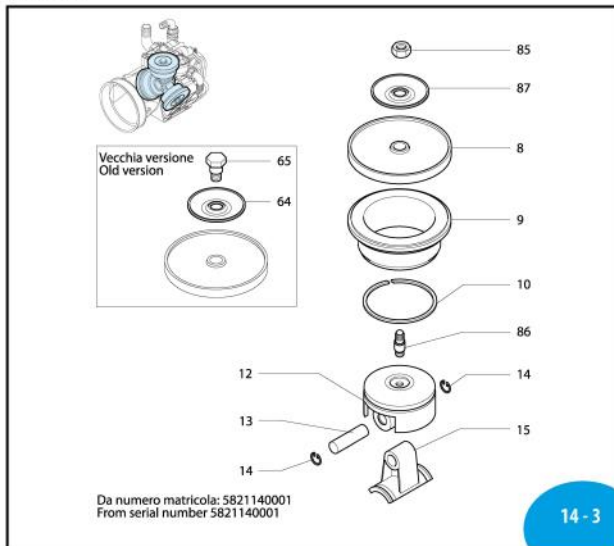
SL000061-EZ

14 - 1



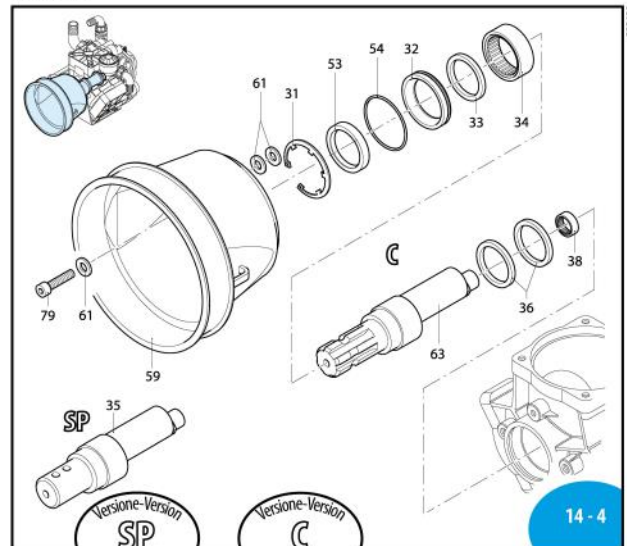
SL000062-EZ

14 - 2



UN990004-BQ

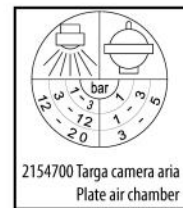
14 - 3



UN990002-IB

14 - 4

Kit	Cod.	Version
Appl. C	1512	SP
Appl. P	1514	2A Ø280mm
Appl. IDM	5350	Ø25mm
	5341	Ø1"
Rid. 1:5,9 x S	1671	Ø3/4"
	1665	Ø1"



Olio utilizzato Suggested oil	
Tipo - Type	Kg
SAE 30	1

Pos	Cod.	Descrizione	Description	Q.ty	Note
1	580013	Corpo pompa	Pump body	1	
2	580150	Condotto	Line	1	
3	550101	Testa dx	Head	2	
4	550102	Testa sx	Head	1	
5	180152	Dado M10	Nut	3	Geomet
	550081	Membrana Øe 115	Diaphragm	3	BlueFlex™
	550080	Membrana Øe 115	Diaphragm	3	NBR
	550084	Membrana Øe 115	Diaphragm	3	Viton
	550085	Membrana Øe 115	Diaphragm	3	Desmopan
	550086	Membrana Øe 115	Diaphragm	3	HPDS
	580110	Camicia	Sleeve	3	AR115bp
	580350	Camicia	Sleeve	3	AR135bp
	580112	Camicia	Sleeve	3	AR115bp/1000
10	500260	Segmento	Piston ring	3	
12	580120	Pistone Ø 80	Piston	3	
13	380300	Spina	Pin	3	▶
14	380080	Anello seeger Ø14	Ring	6	
15	580140	Biella	Connecting-rod	3	▶
16	320030	Guarnizione OR Ø 31,5x4,5	O-ring	6	90Sh ☒
17	750954	Valvola	Valve	6	AR115bp AR135bp
	589050	Valvola	Valve	6	AR115bp/1000
18	540541	Girello 1" 3/4 G	Ring nut	1	
19	390291	Guarnizione OR Ø 28,25x2,62	O-ring	7	☒
20	540530	Raccordo 1" IAG-1" 3/4 G M-M	Fitting	1	
21	390271	Dado M8	Nut	3	Geomet C ₂₀
23	580050	Guarnizione	Gasket	1	▶
25	580180	Semicamera aria inferiore	Semi air chamber	1	Nera
	550194	Membrana camera aria Øe 110	Diaphragm	1	Blueflex™
	550190	Membrana camera aria Øe 110	Diaphragm	1	NBR
	550191	Membrana camera aria Øe 110	Diaphragm	1	Saturflon
	550192	Membrana camera aria Øe 110	Diaphragm	1	Viton
27	550233	Semicamera aria superiore	Semi air chamber	1	Nera
28	550300	Valvola di gonfiaggio	Air valve	1	C ₃
29	650542	Guarnizione	Gasket	1	
30	550680	Vite TE M8x20	Screw	4	Geomet C ₂₀
31	200391	Anello seeger Ø162	Ring	1	
32	550470	Bussola anello tenuta	Bushing	1	
33	550070	Rondella	Washer	1	
34	550060	Boccola	Bushing	1	↓
35	550170	Albero marcato AL	Shaft	1	AR115bp SP
	580380	Albero marcato AT	Shaft	1	AR135bp SP
36	580470	Anello biella	Ring	2	▶
37	551040	Vite TE M10x55	Screw	12	Geomet C ₄₀
38	550310	Boccola	Bushing	1	↓
46	550340	Raccordo 1" G M-M	Fitting	1	
47	550350	Guarnizione OR Ø 23,81x2,62	O-ring	1	☒
48	550242	Girello 1" G	Ring nut	1	
49	550370	Curva Ø 25	Elbow	1	

Pos	Cod.	Descrizione	Description	Q.ty	Note
50	540550	Curva Ø 40	Elbow	1	
52	250310	Guarnizione OR Ø 36,14x2,62	O-ring	2	☒
53	550491	Anello tenuta	Ring	1	☒
54	650920	Guarnizione OR Ø 53,65x2,62	O-ring	1	☒
55	880530	Tappo 3/8" G	Plug	1	C ₂₀
56	330173	Tappo 1/2" G	Plug	1	Geomet C ₂₀
58	580072	Raccordo	Fitting	1	
59	1500350	Protezione cardano	Cardan protection	1	
60	550332	Rondella	Washer	2	Geomet
61	320621	Rondella	Washer	5	Geomet
62	740290	Guarnizione OR Ø 14x1,78	O-ring	1	▶
	550176	Albero marcato AP	Shaft	1	AR115bp/1000 C
	550173	Albero marcato AM	Shaft	1	AR115bp C
	580330	Albero marcato AS	Shaft	1	AR135bp C
64	580370	Piastra foro Ø 14	Plate	3	(b)
65	580360	Perno	Hub pin	3	(b) C ₂₀
	580080	Piede	Foot	1	AR115bp AR135bp
67	580082	Piede	Foot	1	AR115bp/1000
68	540301	Vite TCEI M10x30	Screw	1	Geomet C ₄₀
70	580400	Raccordo	Fitting	2	
71	550460	Curva Ø 18	Elbow	1	
72	550450	Girello 3/4" G	Ring nut	1	
73	880831	Guarnizione OR Ø 15,54x2,62	O-ring	1	Viton ▶
74	1609000	Valvola di sovrappressione	Safety valve	1	20 bar
75	881560	Raccordo 1/2" G M-F	Fitting	1	▶
76	580421	Raccordo M-F 1/2"	Fitting	1	C ₂₀
77	180101	Guarnizione OR Ø 17,5x2	O-ring	1	
78	850851	Vite TCEI M6x30	Screw	2	Geomet C ₁₀
79	620472	Vite TCEI M10x20	Screw	2	Geomet C ₃₀
81	390180	Guarnizione OR Ø 18,72x2,62	O-ring	1	▶
82	1040310	Serbatoio	Tank	1	
83	650920	Guarnizione OR Ø 53,65x2,62	O-ring	1	
	1040321	Tappo verde	Plug	1	AR115bp/1000
	1040326	Tappo nero	Plug	1	AR115bp
	1040324	Tappo rosso	Plug	1	AR135bp
85	2240110	Dado M10 INOX	Nut	3	(a) C ₃₀
86	2240100	Perno	Hub pin	3	(a) C ₃₀
87	580371	Pastra foro Ø 10	Plate	3	(a)

(a) Da matricola N° 5821145001.
From serial number 5821145001.

(b) Fino a matricola N° 5820149999.
Up to serial number 5820149999.

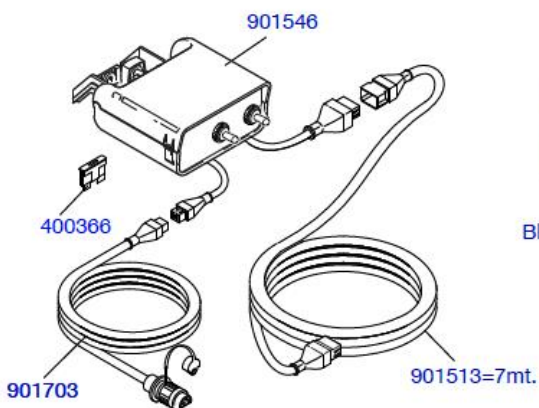
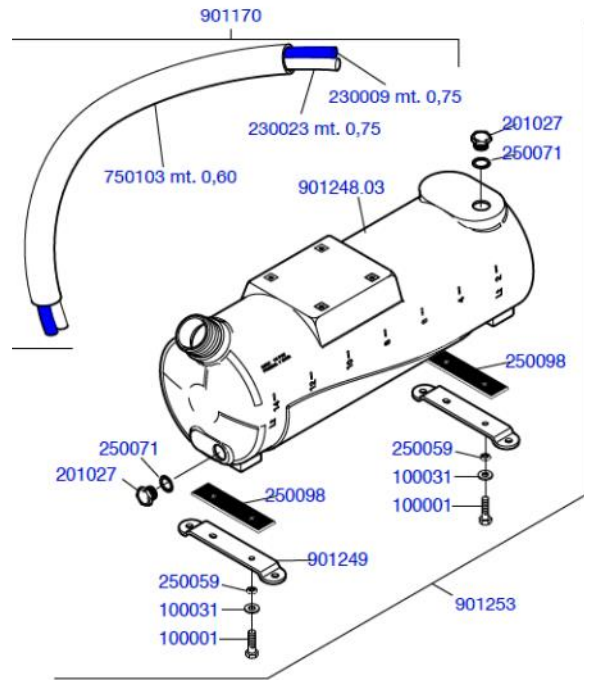
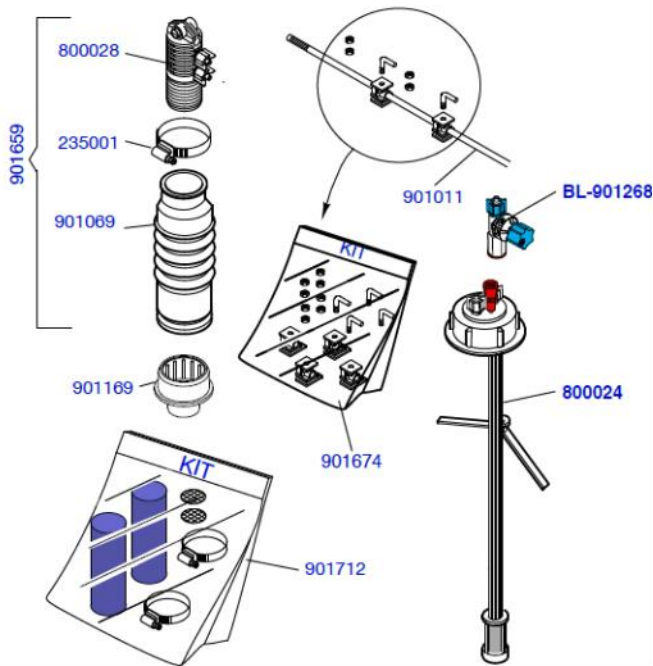
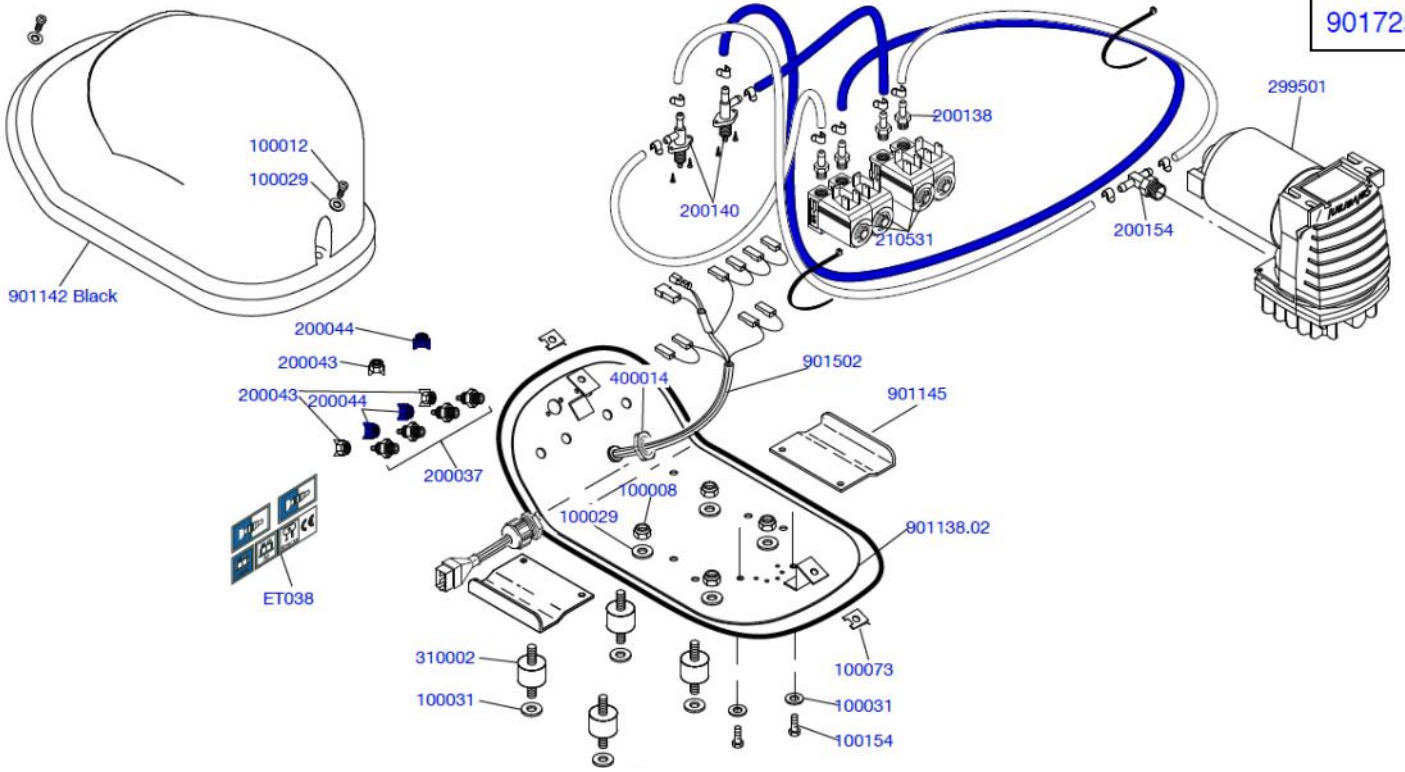


GBAM12 COMBINED large foam marker



CLEVELAND ALLIANCES LTD
INDUSTRY AGRICULTURE AMENITY

901725.03



BL-400504

